



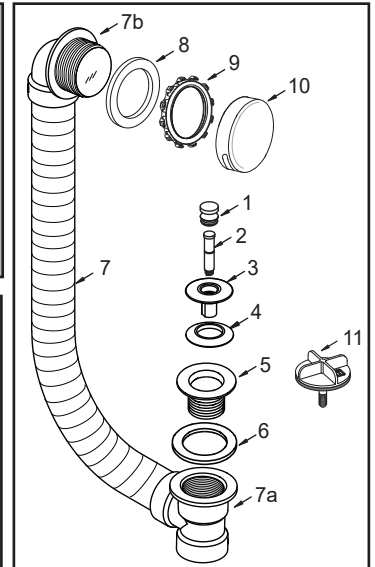
Instructions for installing the WatcoFlex® Direct Drain Tee Models

IMPORTANT: WatcoFlex® bath wastes are custom-made to match a specific bath tub model.

Before installing, verify that this WatcoFlex® model is made to fit the model of the tub it is being installed on.

NOTE: This product should not need to be stretched or compressed to fit the tub. If it does not fit easily, call the factory to get the correct size for that tub.

- Step 1:** Secure the drain tee (*Item 7a*) and drain flange gasket (*Item 6*) under the tub by screwing in the strainer body (*Item 5*) through the tub drain hole from inside the tub. **DO NOT USE OIL-BASED PUTTY PRODUCTS:** Watco does not recommend and does not warrant this product when oil/petroleum based products are used when installing this product.
- Step 2:** Place the overflow foam gasket (*Item 8*) onto the overflow elbow (*Item 7b*).
- Step 3:** Insert overflow elbow and foam gasket assembly into the tub overflow hole from the back of the tub.
- Step 4:** Screw on the retainer nut (*Item 9*) from inside the tub. **HAND TIGHTEN ONLY.**
If not testing the bath waste, skip to Step 6.
- Step 5:** Screw the strainer test plug (*Item 11*) into the strainer body (*Item 5*) and test the system. Once testing is complete, remove the strainer test plug (*Item 11*).
- Step 6:** Cut away the orange test membrane from the overflow elbow (*Item 7b*).
- Step 7:** Snap on the overflow plate (*Item 10*) with slot facing downward.
- Step 8:** Install stopper assembly (*Items 1-4*) into the strainer body (*#5*). *Note: Items #1 thru #4 may vary depending on the type of stopper assembly being used.*



See watcomfg.com or call for details of applicable patents and patents pending.

For Assistance, call:
800-821-8576

Monday-Friday: 7:30 a.m. - 5:00 p.m. CT

WATCO MANUFACTURING COMPANY

1220 South Powell Road • Independence, MO 64057-2724

Phone: 816-796-3900 • 800-821-8576 • Fax: 816-796-0875 • 800-399-2826

www.watcomfg.com

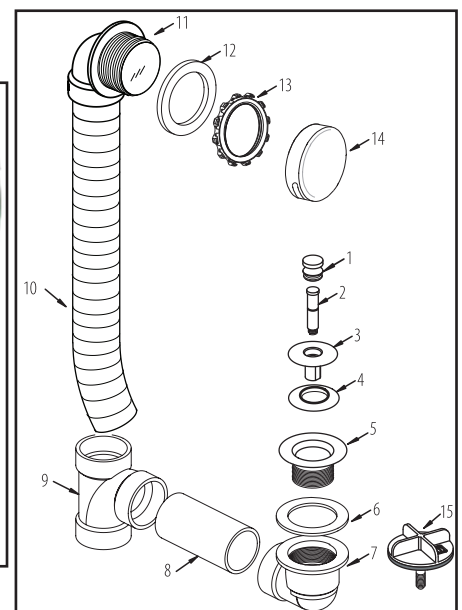
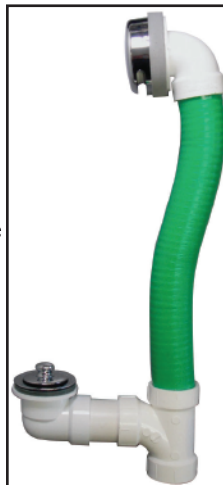
90145 - Flex Inst. - 7/16



Installing the Flex916 & Flex924 Innovator® Sanitary Tee Models

The Overflow end of the Flex tubing is factory-welded. The Tee end of the Flex tubing is designed to be cut to size and fit in the field using standard PVC-joining techniques.

- Step 1:** Cut the 1½" Schedule 40 pipe (*#8*) and the 1½" flexible tubing (*#10*) to the desired lengths to fit the tub. Allow extra tubing, if necessary, to compensate for misalignment.
- Step 2:** Using the proper solvent cement, assemble the bath drain pipe and fittings (*#7- #10*).
- Step 3:** Secure drain elbow (*#7*) and drain flange gasket (*#6*) under the tub by screwing in the strainer body (*#5*) through the tub drain hole from inside the tub.
DO NOT USE OIL-BASED PUTTY PRODUCTS: Watco does not recommend and does not warrant this product when oil/petroleum based products are used when installing this product.
- Step 4:** Place foam gasket (*#12*) onto overflow elbow (*#11*).
- Step 5:** Insert overflow elbow and foam gasket assembly into the tub overflow hole from the back of the tub.
- Step 6:** Screw on retainer nut (*#13*) from inside of tub. **HAND TIGHTEN ONLY.**
If not testing the bath waste, skip to Step 8.
- Step 7:** Screw the strainer test plug (*#15*) into the strainer body (*#5*) and test the system. Once testing is complete, remove the strainer test plug (*#15*).
- Step 8:** Cut away the orange test membrane from the overflow elbow (*#11*).
- Step 9:** Snap on the overflow plate (*#14*) with the slot facing downward.
- Step 10:** Install the stopper assembly (*#1- #4*) into the strainer body (*#5*). *Note: #1-#4 may vary depending on the type of stopper assembly used.*



See watcomfg.com or call for details of applicable patents and patents pending.

WATCO MANUFACTURING COMPANY

1220 South Powell Road • Independence, MO 64057-2724

Phone: 816-796-3900 • 800-821-8576 • Fax: 816-796-0875 • 800-399-2826

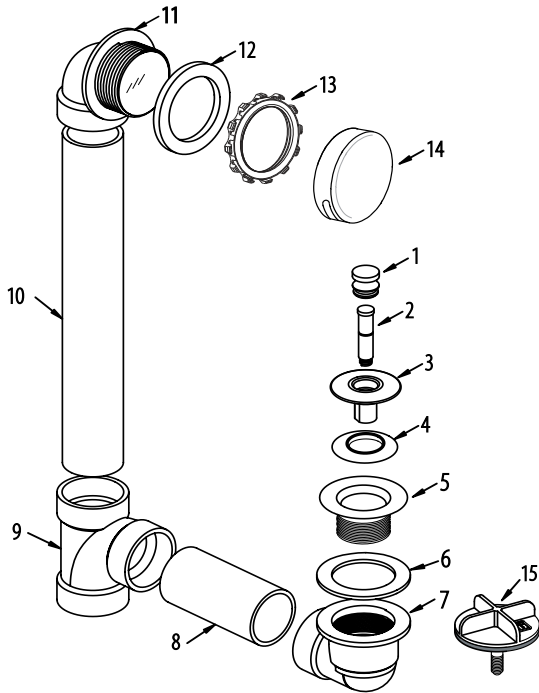
www.watcomfg.com

For Assistance, call:
800-821-8576

Monday-Friday: 7:30 a.m. - 5:00 p.m. CT

90145 - Flex Inst. - 7/16

Instructions for Installing WATCO 900/901 Series Bath Wastes



Step 1: Cut the 1½" Schedule 40 pipes (*Item 8 and Item 10*) to the desired lengths to fit the tub.

Step 2: Using the proper solvent cement, assemble the bath drain pipes and fittings (*Items 7-11*).

Step 3: Place foam gasket (*Item 12*) onto overflow elbow (*Item 11*).

Step 4: Insert overflow elbow and foam gasket assembly into the tub overflow hole from the back of the tub.

Step 5: Screw on retainer nut (*Item 13*) from inside of tub. **HAND-TIGHTEN ONLY.**

Step 6: Secure drain elbow (*Item 7*) and drain flange gasket (*Item 6*) under the tub by screwing in the strainer body (*Item 5*) through tub drain hole from inside the tub.

If not testing the bath waste, skip to Step 8.

Step 7: Screw the strainer test plug (*Item 15*) into the strainer body (*Item 5*) and test the system. Once testing is complete, remove the strainer test plug (*Item 15*).

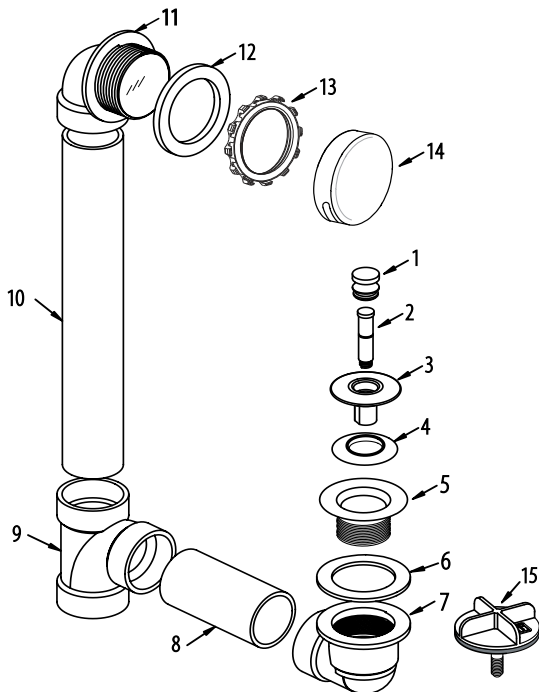
Step 8: Cut away the orange test membrane from the overflow elbow (*Item 11*).

Step 9: Snap on the overflow plate (*Item 14*) with the slot facing downward.

Step 10: Install the stopper assembly (*Items 1-4*) into the strainer body (*Item 5*).

Note: Items 1-4 may vary depending on the type of stopper assembly being used.

Instrucciones para Instalar el Codo de Desborde WATCO Innovator® y los tapones de prueba de desagüe



Paso 1: Corte el tubo Schedule 40 a la longitud deseada para calzar en el baño.

Paso 2: Arme el desagüe utilizando el adhesivo de solvente adecuado (Artículos 1, 2, 3, 4, y 5).

Paso 3: Asegure el armado y el tapón de prueba del cuerpo de la rejilla:

Desborde (Sección Superior):

A. Desenrosque la tuerca de retención (Artículo 7) del codo de desborde (Artículo 1) y ubique la junta de espuma (Artículo 6) en el codo de desborde.

B. Inserte el codo de desborde y la junta en el agujero de desborde desde la parte trasera del baño.

C. Atornille la tuerca de retención desde el frente del baño—**APIETA A MANO SEGURAMENTEL!**

Desagüe (Sección inferior):

D. Asegure el codo de desagüe y el sello (Artículos 5 y 9) a el baño atornillando el cuerpo de la rejilla (Artículo 10).

E. Atornille el tapón de prueba de la rejilla (Artículo 11).

Paso 4: Una vez colocados el tapón de prueba de la rejilla y el sello naranja de prueba del codo de desborde (Artículo 1A), pruebe la unidad con agua.

Paso 5: Una vez terminada la prueba, retire el tapón de prueba de la rejilla y corte el sello naranja de prueba del codo de desborde.

Paso 6: Coloque a presión la placa frontal (Artículo 8) con la ranura de desagüe hacia abajo.



Always A Step Ahead

WATCO MANUFACTURING COMPANY

1220 South Powell Road • Independence, MO 64057-2724

Phone: 816-796-3900 • 800-821-8576

Fax: 816-796-0875 • 800-399-2826

www.watcomfg.com

For Assistance, call:

800-821-8576

Monday-Friday: 8:00 a.m.-4:30 p.m. CT