

Schedule 40



Perfect Fit™ 400/401

Stoppers, Knobs, and Bodies determined by tub closure selected

Perfect Fit™ 420/421

ABS Plastic Stopper, Plastic Knob, Brass Body, Chrome PP only

Sturdy 1.5" Schedule 40 PVC or ABS Solvent Weld Assembly

SPECIFICATIONS

FEATURES:

- Adjustable flange allows a tight-fitting overflow flange on a wide range of tub angles.
- The only tool needed for the adjustment is a HAND!
- Reversible tee and elbow for direct-drain application

PATENTS:

- <https://www.watcomfg.com/patents>

THREADS (Strainer Body and Drain Elbow):

- 1³/₈" – 16 NPSM (Fine Thread)
- 1.625" Major Diameter (outside thread diameter)
- 16 threads per inch

PIPING: PVC ABS

Not Shown: Half Kits (No Tee or Pipe)

Model 401: Stoppers, Knobs, Strainer Bodies determined by type of tub closure, i.e., Lift and Turn, etc.

Model 421-PP: ABS Plastic Stopper and Knob, Brass Strainer Body, Chrome PP only



ADA PRESFLO® (PF) and Foot Actuated (FA) only

See price list for complete item numbers and available options.

When ordering, please specify complete item number and any applicable option codes.

WATCO



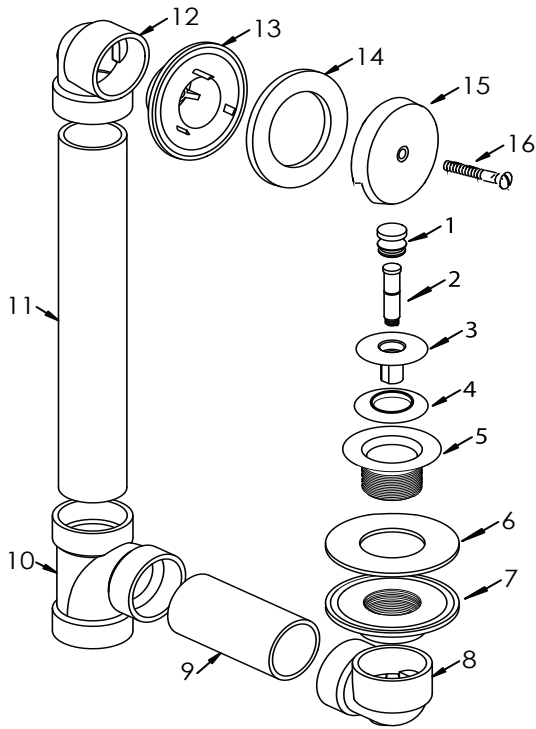
Always a step ahead®

For More Information Contact:
WATCO Manufacturing Company
 1220 South Powell Road
 Independence, MO 64057-2724
 Ph. 816-796-3900 • FAX 816-796-0875
www.watcomfg.com

Finishes Available in the 400/401 Series:

Tub Closures:	PUSH PULL®	LIFT & TURN	PRESFLO®	FOOT ACT.
CP- Chrome Plated	•	•	•	•
AP- Aged Pewter	•	•	•	
BB- Brushed Bronze	•	•	•	•
BN- Brushed Nickel	•	•	•	•
BO- Bone	•	•		
BS- Biscuit	•	•		
BZ- Oil-Rubbed Bronze	•	•	•	•
CB- Chrome Brushed	•	•	•	•
NP- Nickel Polished	•	•	•	•
PB- Polished Brass	•	•	•	•
WH- White	•	•		•
WI- Wrought Iron	•	•	•	•

400 Series Parts List



Half-kits consist of Parts 1 thru 8, and 12 thru 16.

Item	Part #	Description
1	01010CP	Knob, metal
2	11510	Friction Ring (11505) and Post (11532)
3	01013CP	Stopper, metal
4	11507	Seal, 1 1/16" dia.
5	01022CP	Strainer Body, 1.625" - 16, metal
6	10693	Drain Flange Gasket, Perfect Fit™
7	11022	Drain Flange, Perfect Fit™, ABS
	14022	Drain Flange, Perfect Fit™, PVC
8	11023	Drain/Overflow Elbow, Perfect Fit™, ABS
	14023	Drain/Overflow Elbow, Perfect Fit™, PVC
9	11605	Pipe, Schedule 40, ABS, 1.5" x 4.625"
	11606	Pipe, Schedule 40, PVC, 1.5" x 4.625"
10	14011	Sanitary Tee, Schedule 40, ABS
	14010	Sanitary Tee, Schedule 40, PVC
11	11605	Pipe, Schedule 40, ABS, 1.5" x 11.75"
	11606	Pipe, Schedule 40, PVC, 1.5" x 11.75"
12	11023	Drain/Overflow Elbow, Perfect Fit™, ABS
	14023	Drain/Overflow Elbow, Perfect Fit™, PVC
13	11021	Overflow Flange, Perfect Fit™, ABS
	14021	Overflow Flange, Perfect Fit™, PVC
14	10694	Overflow Flange Gasket, Perfect Fit™
15	01002CP	1-Hole Overflow Plate
16	01024CP	Overflow Plate Screw, 1/4" - 20 x 2.25"

Model 420/421: 1. 11309CP PP Plastic Knob, Chrome
3. 11290CP PP Plastic Stopper, Chrome

TUB CLOSURES FOR 400/401-SERIES BATH WASTES (PUSH PULL® ALSO SHOWN ABOVE)

PUSH PULL® Fine Thread	LIFT & TURN Fine Thread	PRESFLO® Fine Thread	FOOT ACTU- ATED Coarse Thread
<ol style="list-style-type: none"> 01010CP 01010__* 11510 01013CP 01013__* 11507 01022CP 01022__* <p>U.S. Pat. No. 4,720,877</p>	<ol style="list-style-type: none"> 01010CP 01010__* 11079 11088 11290CP 01013__* 11507 01022CP 01022__* <p>U.S. Pat. No. 5,758,368</p>	<ol style="list-style-type: none"> 11155CP 11155__* 11131 11070CP 11070__* 96039: Suction Cup for removing stopper <p>U.S. Pat. No. 4,457,030</p>	<ol style="list-style-type: none"> 38412-CP 38412__-* 11492-CP 01016__-*

**If finish other than Chrome is desired, please use this part number and indicate desired finish.*

The secret to Perfect Fit's perfect fit...

GASKETS

1.5" PANCAKE 90° ELBOWS

1.5" OVERFLOW FLANGE

1.5" DRAIN FLANGE

Standard
Layout

Above-Floor
Layout

Direct-Drain
Layout

Roughing-In Dimensions:

