

Tubular Plastic



Trip Lever 500-TL

Trip Lever 500-TQ QUICK ADJUST®

For most tubs 14" - 16" high

Trip Lever 550-TL

For most tubs up to 24" high

Durable 1.5" Tubular Plastic PVC or ABS

SPECIFICATIONS

FEATURES:

- Designed for heavy-duty use in hotels, motels, and rental property.
- Metal strainer body for cast iron or plastic tubs.
- Retainer plate for overflow ell.

APPROVALS:

- IAPMO, SBCCI
- Conforms to ANSI/ASTM F409-88.

Patents: <https://www.watcomfg.com/watco/patents/>

OPERATION:

- Move trip lever, located on Overflow Plate, up to close drain and down to open drain.

THREAD SIZE (Strainer Body and Drain Ell):

- 1¹/₂" – 11¹/₂" NPSM (Coarse Thread)
- 1.865" Major Diameter (outside thread diameter)
- 11.5 threads per inch

PIPING:

- PVC ABS

OPTIONS:

- Removable tailpiece and "O" Ring Seal (Code "RT-2")
- Condensate Drain (Code "CD")
- Brass Drop Cylinder (Code "BD")
- Special lengths available:
 - Overflow extension (add code "EXlength")
example: EX6
 - Drain extension (add code "Dlength") example: D4

Model 500-TQ

Same as 500 Trip Lever except Quick Adjust® has scale label on the overflow pipe.
For most tubs 14"-16" high



See price list for complete item numbers and available options.

When ordering, please specify complete item number and any applicable option codes.

WATCO

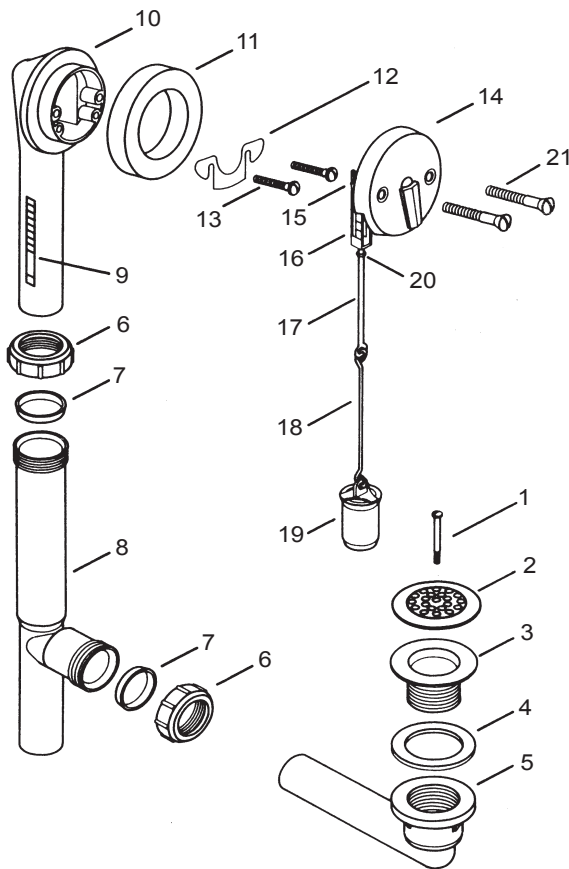


Always a step ahead

For More Information Contact:
WATCO Manufacturing Company
1220 South Powell Road
Independence, MO 64057-2724
Ph. 816-796-3900 • FAX 816-796-0875
www.watcomfg.com

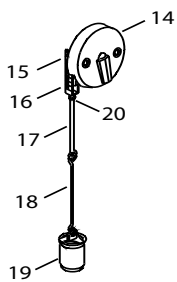
Tub Closure:	Trip Lever
CP- Chrome Plated	•
BB- Brushed Bronze	•
BN- Brushed Nickel	•
BZ- Oil-Rubbed Bronze	•
CB- Chrome Brushed	•
NP- Nickel Polished	•
PB- Polished Brass	•
WH- White	•
WI- Wrought Iron	•

500-TL/550-TL and 500-TQ Series Parts List



Item	Part #	Description
1	01040CP	Strainer Cover Plate Screw
2	01006CP	Strainer Cover Plate
3	11495CP	Trip Lever zinc Strainer Body, 11/2" - 11.5
4	10696	Drain Ell Washer
5	11028	Drain Ell Tube, Tubular ABS, 11/2" - 11.5
	14028	Drain Ell Tube, Tubular PVC, 11/2" - 11.5
6	11580	Slip Joint Nut, ABS
	11581	Slip Joint Nut, PVC
7	11583	Slip Joint Polywasher
8	11000	Tee, Tubular ABS
	14000	Tee, Tubular PVC
9	TQ only	QUICK ADJUST® label
10	11003	Overflow Elbow, Tubular ABS
	14003	Overflow Elbow, Tubular PVC
11	10675	Overflow Ell Washer, Foam
12	11530	Retainer Plate
13	11540	Retainer Plate Screw
14	10700CP	TL Faceplate Assembly
15	10930	Cotter Pin
16	10950	TL Quick Adjust "Q" Clevis
17	10953	Top Linkage Eye Bolt
18	10954	5.25" Double-Loop Wire
19	11005	Drop Cylinder for ABS
	14005	Drop Cylinder for PVC
20	10952	TL Linkage Nut
21	01024CP	Screw, Overflow Plate, 2.25"

* Please indicate desired finish.



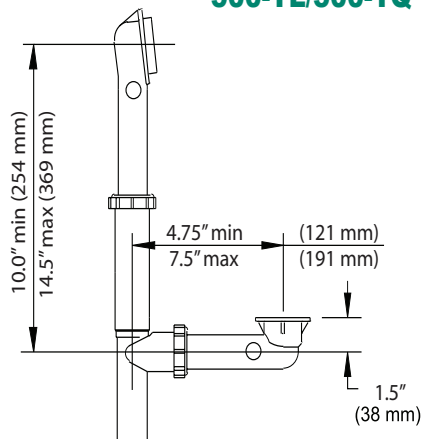
10770-(PVC or ABS)-__

Trip Lever faceplate assembly replacement for tubular plastic trip lever bath wastes.

Indicate PVC or ABS and finish desired.

Roughing-In Dimensions:

500-TL/500-TQ



550-TL

