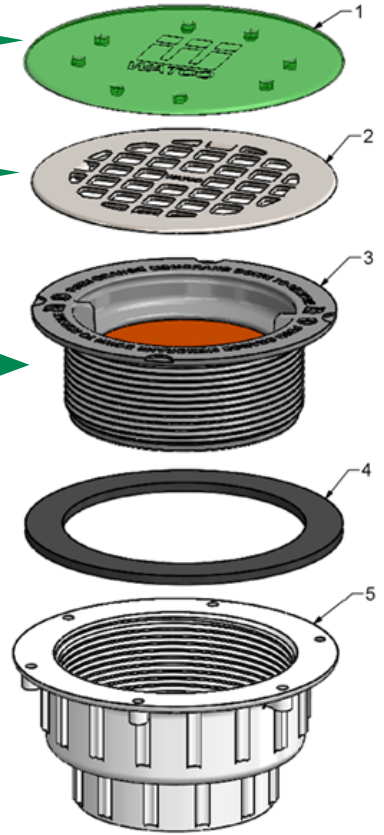


Watco Manufacturing Submittal Sheet

Job Name _____ Item Designation _____
 Job Location _____ Contractor _____
 Engineer _____ Representative _____

Watco Innovator® Shower Drain

- Includes Green Polycarbonate Cover To Protect Grid Finish During Construction.
- Includes Heavy-Duty, Snap-On Grid 20% Thicker Than Competitive Grids.
- Top Piece Is Dark Grey PVC To Reduce Appearance Of Dirt And Mildew. Bottom Piece Available In White PVC Or Black ABS
- Includes E-Z Grip Installation Tabs On Top Piece And Squared-Off Ribs On Bottom Receptor For Easy Tightening and Installation.



Includes built-in test membrane Easily remove membrane after test

| Finish | Part # |
|------------------------------|-------------|
| PVC | |
| Chrome | 9300-PVC-CP |
| Brushed Bronze | 9300-PVC-BB |
| Brushed Nickel | 9300-PVC-BN |
| Brushed Gold | 9300-PVC-BG |
| Oil Rubbed Bronze | 9300-PVC-BZ |
| White | 9300-PVC-WH |
| Wrought Iron (Matte Black) | 9300-PVC-WI |
| ABS | |
| Chrome | 9300-ABS-CP |
| Brushed Bronze | 9300-ABS-BB |
| Brushed Nickel | 9300-ABS-BN |
| Brushed Gold | 9300-ABS-BG |
| Oil Rubbed Bronze | 9300-ABS-BZ |
| White | 9300-ABS-WH |
| Wrought Iron (Matte Black) | 9300-ABS-WI |
| Grid Only | |
| Chrome | 9300G-CP |
| Brushed Bronze | 9300G-BB |
| Brushed Nickel | 9300G-BN |
| Brushed Gold | 9300G-BG |
| Oil Rubbed Bronze | 9300G-BZ |
| White | 9300G-WH |
| Wrought Iron (Matte Black) | 9300G-WI |
| Shower Drain Rough In | 930NG-PVC |
| | 930NG-ABS |

Features:

- Includes Innovator test membrane; testable up to five floors (22 psi)
- No test plug or test ball required
- Available in Chrome, Brushed Nickel, Oil-Rubbed Bronze, and Matte Black finishes.
- Available in PVC and ABS

Approvals:

- Manufactured in compliance with ASME A112.18.2-2015/CSA B125.2-2015.



For More Information Contact:
WATCO Manufacturing Company
 1220 South Powell Road
 Independence, MO 64057-2724
 Ph. 816-796-3900 • FAX 816-796-0875
www.watcomfg.com

