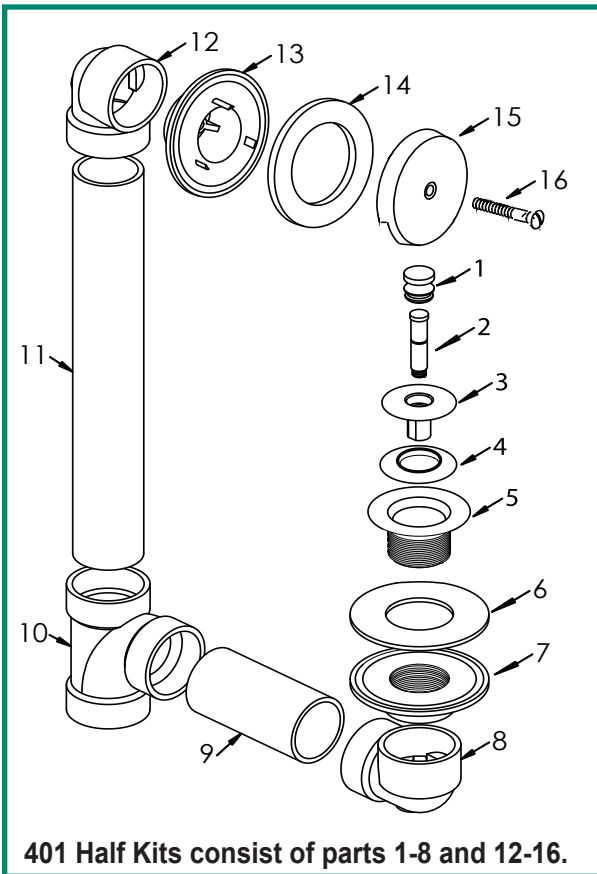


400/401 Perfect Fit™ Installation Instructions



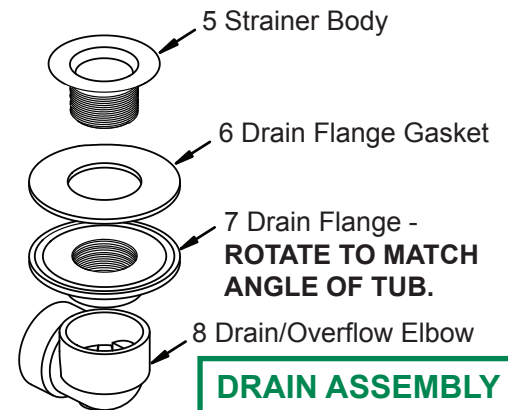
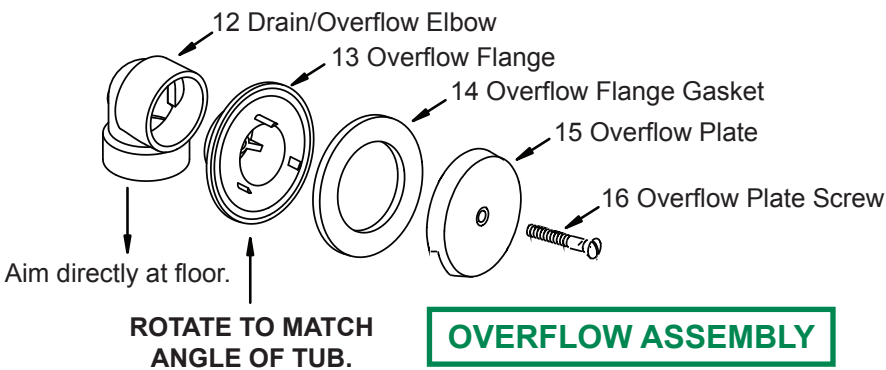
401 Half Kits consist of parts 1-8 and 12-16.

- Step 1:** Insert Overflow Flange (*Item 13*) into Overflow Elbow (*Item 12*), rotating flange as necessary so flange is flush with tub and the elbow outlet is facing downward.
- Step 2:** Place Overflow Flange Gasket (*Item 14*) onto Overflow Flange (*Item 13*) and insert flange through the overflow hole from the back side of the tub.
- Step 3:** Attach Overflow Plate (*Item 15*) to Overflow Flange (*Item 13*) using the Overflow Plate Screw (*Item 16*) from inside the tub.
- Step 4:** Secure Drain Flange (*Item 7*) and Drain Flange Gasket (*Item 6*) under the tub by screwing in the Strainer Body (*Item 5*) through the tub drain hole from inside the tub.
- Step 5:** Cut the 1½" Schedule 40 pipes (*Item 9 and Item 11*) to the desired lengths to fit the tub.
- Step 6:** Using the proper solvent cement, assemble the bath drain pipe and fittings (*Item 7 thru Item 13*).
- Step 7:** Install the Stopper Assembly (*Items 1 thru 4*) into the Strainer Body (*Item 5*). *Note: Items 1 thru 4 may vary depending on the type of stopper assembly being used.*

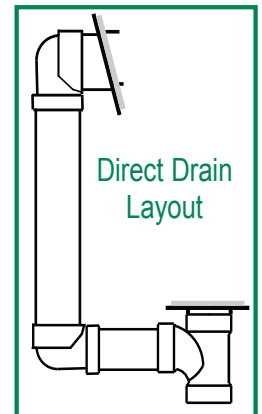
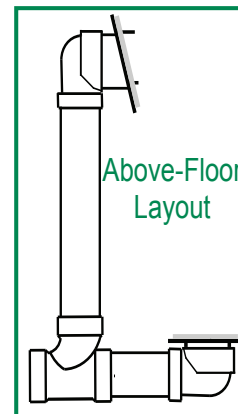
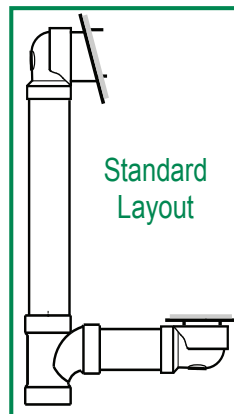


Useful. Innovation.™

400/401 Perfect Fit™ Unique Features



This product can be assembled in three different ways:



WATCO MANUFACTURING COMPANY
 A Division of WCM Industries
 1220 South Powell Road
 Independence, MO 64057-2724
 Phone: 816-796-3900 • 800-821-8576
 Fax: 816-796-0875 • 800-399-2826
 www.watcomfg.com