

Schedule 40

Perfect Fit™ 400/401

Stoppers, Knobs, and Bodies determined by tub closure selected

Perfect Fit™ 420/421

ABS Plastic Stopper, Plastic Knob, Brass Body, Chrome PP only



Full Kits
(with Tee and Pipe):
Model 400
Model 420

Not Shown: Half Kits (No Tee or Pipe)

Model 401: Stoppers, Knobs, Strainer Bodies determined by type of tub closure, i.e., Lift and Turn, etc.

Model 421-PP: ABS Plastic Stopper and Knob, Brass Strainer Body, Chrome PP only

Sturdy 1.5" Schedule 40 PVC or ABS Solvent Weld Assembly

SPECIFICATIONS

FEATURES:

- Adjustable flange allows a tight-fitting overflow flange on a wide range of tub angles.
- The only tool needed for the adjustment is a HAND!
- Reversible tee and elbow for direct-drain application

PATENTS:

- U.S. Pat. 4,720,877; 5,758,368; and 4,457,030

THREADS (Strainer Body and Drain Elbow):

- 1³/₈" – 16 NPSM (Fine Thread)
- 1.625" Major Diameter (outside thread diameter)
- 16 threads per inch

PIPING: PVC ABS

 **ADA** PRESFLO® (PF) and Foot Actuated (FA) only

See price list for complete item numbers and available options.

When ordering, please specify complete item number and any applicable option codes.

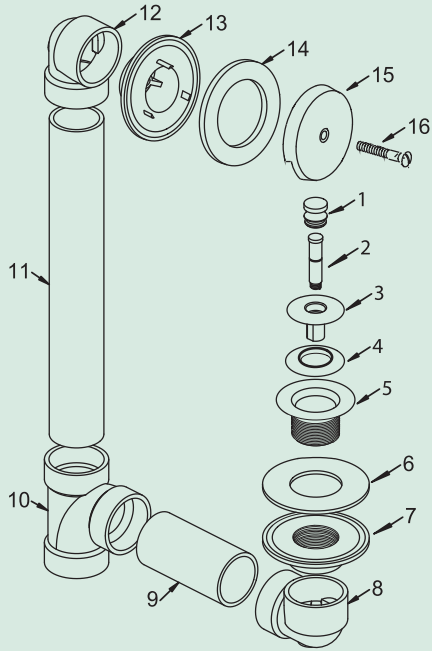


For More Information Contact:
WATCO Manufacturing Company
1220 South Powell Road
Independence, MO 64057-2724
Ph. 816-796-3900 • FAX 816-796-0875
www.watcomfg.com

Finishes Available in the 400/401 Series:

Tub Closures:	PUSH PULL®	LIFT & TURN	PRESFLO®	FOOT ACT.
CP - Chrome Plated	•	•	•	•
AB - Antique Brass	•	•		
AP - Aged Pewter	•	•	•	
BB - Brushed Bronze	•	•	•	
BN - Brushed Nickel	•	•	•	•
BO - Bone	•	•		
BS - Biscuit	•	•		
BZ - Oil-Rubbed Bronze	•	•	•	•
CB - Chrome Brushed	•	•	•	
NP - Nickel Polished	•	•	•	•
PB - Polished Brass	•	•	•	•
PN - Pearl Nickel	•	•	•	
WH - White	•	•		
WI - Wrought Iron	•	•	•	

400 Series Parts List



Half-kits consist of Parts 1 thru 8, and 12 thru 16.

Model 420/421: 1. 11309CP PP Plastic Knob, Chrome
3. 11290CP PP Plastic Stopper, Chrome

Item Part # Description

1. 01010CPKnob, metal
2. 11510.....Friction Ring (11505) and Post (11532)
3. 01013CPStopper, metal
4. 11507Seal, 1 1/16" dia.
5. 01022CPStrainer Body, 1.625" - 16, metal
6. 10693.....Drain Flange Gasket, Perfect Fit™
7. 11022Drain Flange, Perfect Fit™, ABS
14022.....Drain Flange, Perfect Fit™, PVC
8. 11023Drain/Overflow Elbow, Perfect Fit™, ABS
14023.....Drain/Overflow Elbow, Perfect Fit™, PVC
9. SCHABS-4.625...Pipe, Schedule 40, ABS, 1.5" x 4.625"
SCHPVC-4.625...Pipe, Schedule 40, PVC, 1.5" x 4.625"
10. 14011Sanitary Tee, Schedule 40, ABS
14010Sanitary Tee, Schedule 40, PVC
11. SCHABS-11.75...Pipe, Schedule 40, ABS, 1.5" x 11.75"
SCHPVC-11.75...Pipe, Schedule 40, PVC, 1.5" x 11.75"
12. 11023Drain/Overflow Elbow, Perfect Fit™, ABS
14023.....Drain/Overflow Elbow, Perfect Fit™, PVC
13. 11021Overflow Flange, Perfect Fit™, ABS
14021Overflow Flange, Perfect Fit™, PVC
14. 10694.....Overflow Flange Gasket, Perfect Fit™
15. 01002CP1-Hole Overflow Plate
16. 01024CPOverflow Plate Screw, 1/4" - 20 x 2.25"

TUB CLOSURES FOR 400/401-SERIES BATH WASTES (PUSH PULL® ALSO SHOWN ABOVE)

PUSH PULL®
Fine Thread

1. 01010CP
01010__*
2. 11510
3. 01013CP
01013__*
4. 11507
5. 01022CP
01022__*

U.S. Pat. No. 4,720,877

LIFT & TURN
Fine Thread

1. 01010CP
01010__*
2. 11079
3. 11088
4. 11290CP
01013__*
5. 11507
6. 01022CP
01022__*

U.S. Pat. No. 5,758,368

PRESFLO®
Fine Thread

1. 11155CP
11155__*
2. 11131
3. 11070CP
11070__*
4. 96039:
Suction Cup
for removing
stopper

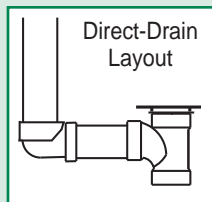
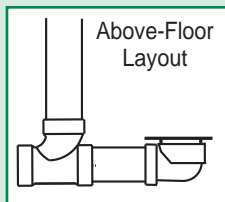
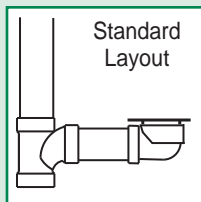
U.S. Pat. No. 4,457,030

FOOT ACTUATED
Fine Thread

1. 38412CP
38412__*
2. 01022CP
01022__*

**If finish other than Chrome is desired, please use this part number and indicate desired finish.*

The secret to Perfect Fit's perfect fit...



Roughing-In Dimensions:

