

## Schedule 40

### Trip Lever 600-TL

For most tubs 14" - 16" high

### Trip Lever 650-TL

For most tubs up to 24" high

**Sturdy 1.5" Schedule 40 PVC and ABS  
Solvent-Weld Assembly**

#### SPECIFICATIONS

##### FEATURES:

- Designed for heavy-duty use in hotels, motels, and rental properties
- Strainer body cover catches hair
- Metal handle and strainer body
- Retainer plate for overflow elbow

##### APPROVALS:

- Manufactured in compliance with ASME A112.18.2-2005/CSA B125.2-2005.

##### OPERATION:

- Move lever, located on overflow plate, up to close drain and down to open drain.

##### THREAD SIZE (Strainer Body and Drain Elbow):

- 1 $\frac{1}{2}$ " - 1 $\frac{1}{2}$ " NPSM (Coarse Thread)
- 1.865" Major Diameter (outside thread diameter)
- 11.5 threads per inch

##### PIPING:

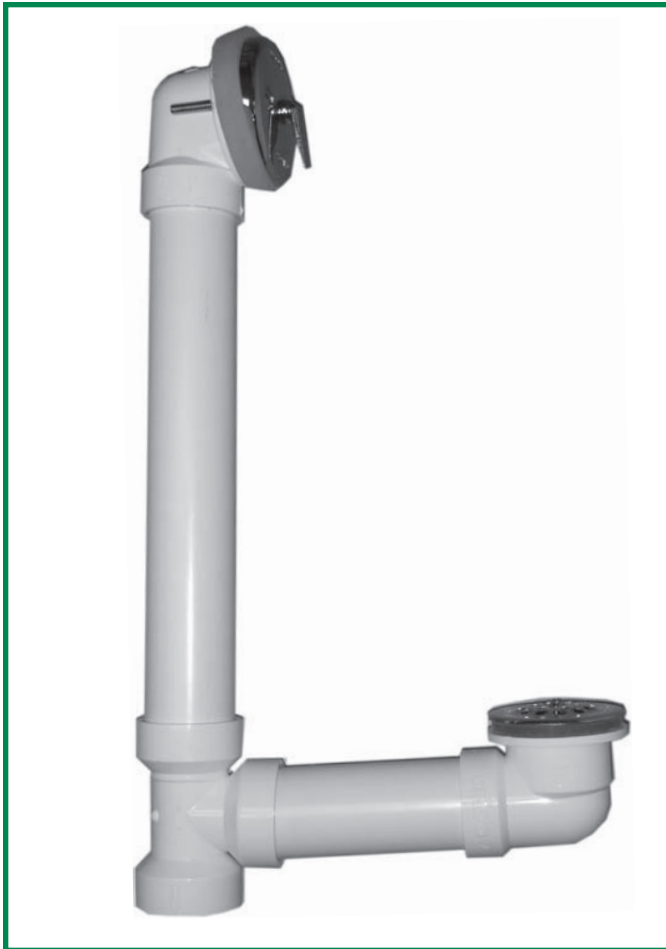
- PVC     ABS

##### OPTIONS:

- Special lengths available:
  - Overflow extension (add code "EXlength")  
example: EX6
  - Drain extension (add code "Dlength") example:  
D4

##### FINISHES:

- CP - Chrome Plated
- BN - Brushed Nickel
- BO - Bone
- BS - Biscuit
- BZ - Oil-Rubbed Bronze
- CB - Chrome Brushed
- NP - Nickel Polished
- PB - Polished Brass
- PN - Pearl Nickel
- WH - White
- WI - Wrought Iron



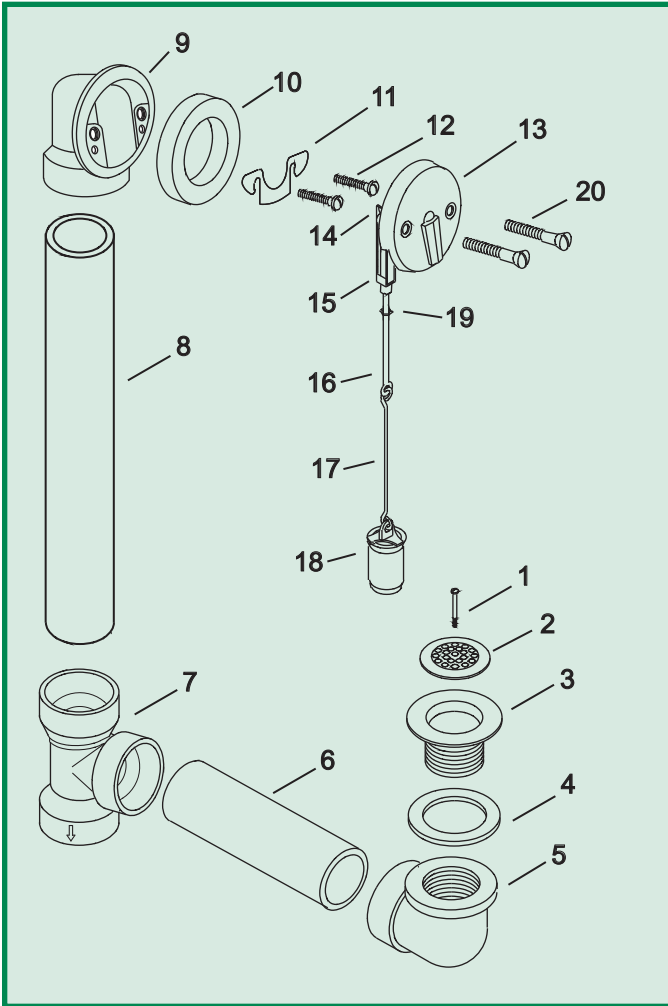
See price list for complete item numbers and available options.

When ordering, please specify complete item number and any applicable option codes.

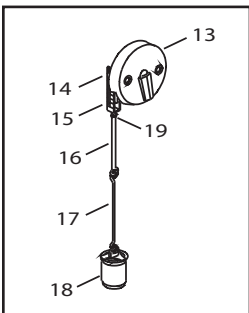


For More Information Contact:  
**WATCO Manufacturing Company**  
1220 South Powell Road  
Independence, MO 64057-2724  
Ph. 816-796-3900 • FAX 816-796-0875  
[www.watcomfg.com](http://www.watcomfg.com)

# 600-TL Series Parts List



| Item | Part #       | Description                                    |
|------|--------------|--|
| 1.   | 01040CP      | ..... Strainer Cover Plate Screw               |
| 2.   | 01006CP      | ..... Strainer Cover Plate                     |
| 3.   | 11495CP      | ..... Zinc Strainer Body, 1.865" - 11.5        |
| 4.   | 10696        | ..... Drain Ell Washer, gray                   |
| 5.   | 11008        | ..... Drain Ell, Schedule 40, ABS              |
|      | 14008        | ..... Drain Ell, Schedule 40, PVC              |
| 6.   | SCHABS-4.625 | ...Pipe, Schedule 40, ABS, 1.5" x 4.625"       |
|      | SCHPVC-4.625 | ...Pipe, Schedule 40, PVC, 1.5" x 4.625"       |
| 7.   | 11017        | ..... Tee with Seat, Schedule 40, ABS          |
|      | 14017        | ..... Tee with Seat, Schedule 40, PVC          |
| 8.   | SCHABS-11.75 | ...Pipe, Schedule 40, ABS, 1.5" x 11.75"       |
|      | SCHPVC-11.75 | ...Pipe, Schedule 40, PVC, 1.5" x 11.75"       |
| 9.   | 10096        | ..... Overflow Elbow, 2-Hole, Schedule 40, ABS |
|      | 10098        | ..... Overflow Elbow, 2-Hole, Schedule 40, PVC |
| 10.  | 10675        | ..... Overflow Ell Washer, Foam                |
| 11.  | 11531        | ..... Retainer Plate for 2-hole Schedule 40    |
| 12.  | 11540        | ..... Retainer Plate Screw                     |
| 13.  | 10700CP      | ..... Trip Lever Faceplate Assembly            |
| 14.  | 10930        | ..... Cotter Pin Special Annealed              |
| 15.  | 10950        | ..... Trip Lever Qu I Ck A Dju ST® Clevis      |
| 16.  | 10953        | ..... Top Linkage Eye Bolt                     |
| 17.  | 10954        | ..... 5.25" Double-Loop Wire                   |
| 18.  | 11005        | ..... Drop Cylinder for ABS                    |
|      | 14005        | ..... Drop Cylinder for PVC                    |
| 19.  | 10952        | ..... Trip Lever Linkage Nut                   |
| 20.  | 01024CP      | ..... Overflow Plate Screw, 2.25"              |



## 10770-(PVC or ABS)-\_\_\_

Trip Lever faceplate assembly replacement for tubular plastic trip lever bath wastes.

Indicate PVC or ABS and finish desired.

## Roughing-In Dimensions:

