

## Schedule 40

TURNSTYLE® 600-TS  
For most tubs 14" - 16" high

TURNSTYLE® 650-TS  
For most tubs up to 24" high

**Sturdy 1.5" Schedule 40 PVC and ABS  
Solvent-Weld Assembly**

### SPECIFICATIONS

#### FEATURES:

- Will fit most angle tubs.
- The look of a cable drive without the potential for behind-the-wall repair.
- Strainer body cover catches hair.
- Metal handle and strainer body.
- No stopper in drain elbow, therefore...no stopper adjustments are required, no stubbing-the-toe injuries, and theft resistant.
- Retainer plate for overflow elbow

#### APPROVALS:

- Manufactured in compliance with ASME A112.18.2-2005/CSA B125.2-2005.

#### PATENTS:

- U.S. Pat. Number 6,173,459 B1; and Patents Pending

#### OPERATION:

- Turn overflow plate to the left to open drain and to the right to close drain.

#### THREAD SIZE (Strainer Body and Drain Elbow):

- 1½" – 11½ NPSM (Coarse Thread)
- 1.865" Major Diameter (outside thread diameter)
- 11.5 threads per inch

#### PIPING:

- PVC     ABS

#### OPTIONS:

- Special lengths available:
  - Overflow extension (add code "EXlength")  
example: EX6
  - Drain extension (add code "Dlength") example: D4

#### FINISHES:

- |   |   |
|---|---|
| <input type="checkbox"/> CP - Chrome Plated     | <input type="checkbox"/> NP - Nickel Polished |
| <input type="checkbox"/> BN - Brushed Nickel    | <input type="checkbox"/> PB - Polished Brass  |
| <input type="checkbox"/> BO - Bone              | <input type="checkbox"/> PN - Pearl Nickel    |
| <input type="checkbox"/> BS - Biscuit           | <input type="checkbox"/> WH - White           |
| <input type="checkbox"/> BZ - Oil-Rubbed Bronze | <input type="checkbox"/> WI - Wrought Iron    |
| <input type="checkbox"/> CB - Chrome Brushed    |   |



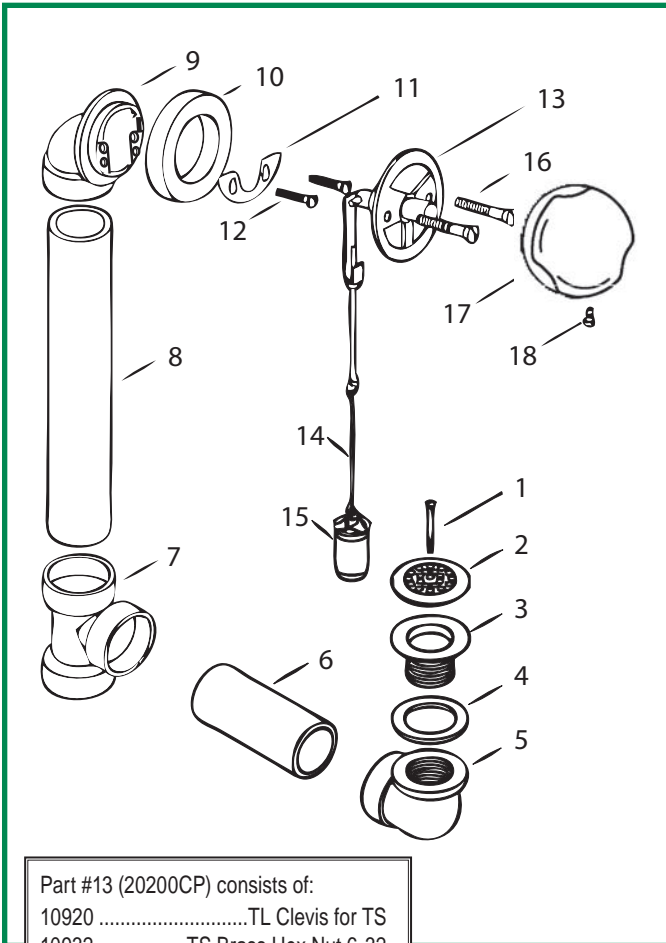
See price list for complete item numbers and available options.

When ordering, please specify complete item number and any applicable option codes.



For More Information Contact:  
**WATCO Manufacturing Company**  
1220 South Powell Road  
Independence, MO 64057-2724  
Ph. 816-796-3900 • FAX 816-796-0875  
[www.watcomfg.com](http://www.watcomfg.com)

# 600-TS/650-TS Series Parts List



Part #13 (20200CP) consists of:

- 10920 ..... TL Clevis for TS
- 10932 ..... TS Brass Hex Nut 6-32
- 10934 ..... TS SS Mach. Screw 6-32
- 10952 ..... TL Linkage Nut
- 10953 ..... Top Linkage Eye Bolt
- 20020CP ..... TS OF Mount w/Prongs
- 20041 ..... TS Turning Pin
- 20042 ..... TS Turning Pin Sleeve
- 20043 ..... Cable Stop

Item	Part #	Description
1.	01040CP	.....Strainer Cover Plate Screw
2.	01006CP	.....Strainer Cover Plate
3.	11495CP	.....Zinc Strainer Body, 1 1/2" - 11.5
4.	10696	.....Drain Ell Washer
5.	11008	.....Drain Ell, Schedule 40, ABS
	14008	.....Drain Ell, Schedule 40, PVC
6.	SCHABS-4.625	...Pipe, Schedule 40, ABS, 1.5" x 4.625"
	SCHPVC-4.625	...Pipe, Schedule 40, PVC, 1.5" x 4.625"
7.	11017	.....Tee with Seat, Schedule 40, ABS
	14017	.....Tee with Seat, Schedule 40, PVC
8.	SCHABS-12	.....Pipe, Schedule 40, ABS, 1.5" x 12.0"
	SCHPVC-12	.....Pipe, Schedule 40, PVC, 1.5" x 12.0"
9.	10096	.....Overflow Elbow, 2-Hole, Schedule 40, ABS
	10098	.....Overflow Elbow, 2-Hole, Schedule 40, PVC
10.	10675	.....Overflow Ell Washer, Foam
11.	11531	.....Retainer Plate for Schedule 40
12.	11540	.....Retainer Plate Screw
13.	20200CP	.....TURNSTYLE® Assembly
14.	10954	.....TL Double-Loop Wire, 5.25"
15.	11005	.....Drop Cylinder for ABS
	14005	.....Drop Cylinder for PVC
16.	01024CP	.....Overflow Plate Screw, 2.25"
17.	20030CP	.....Cable Overflow Plate
18.	20140	.....Cable Overflow Plate Locking Screw

## Roughing-In Dimensions:

