



# Tubular Brass

Model 501/502

For most tubs 14" - 16" high

Model 551/552

For most tubs up to 24" high

**Sturdy 1.5" 17g and 20g Tubular Brass Slip-Joint Assembly**

## SPECIFICATIONS

### FEATURES:

- Metal strainer body for cast iron or plastic tubs
- Designed for heavy-duty use in hotels, motels, and rental properties
- Replaceable drip-proof Buna-N-Seal
- Retainer plate for overflow elbow

### APPROVALS:

- Manufactured in compliance with ASME A112.18.2-2005/CSA B125.2-2005 and TIL MSE-051.

### PATENTS:

- U.S. Pat. 4,720,877; 4,457,030; and 5,758,368

### THREAD SIZE (Strainer Body and Drain Elbow):

- 1 1/2" – 11 1/2 NPSM (Coarse Thread)
- 1.865" Major Diameter (outside thread diameter)
- 11.5 threads per inch

### PIPING:

- 17g: 501/551 models
- 20g: 502/552 models

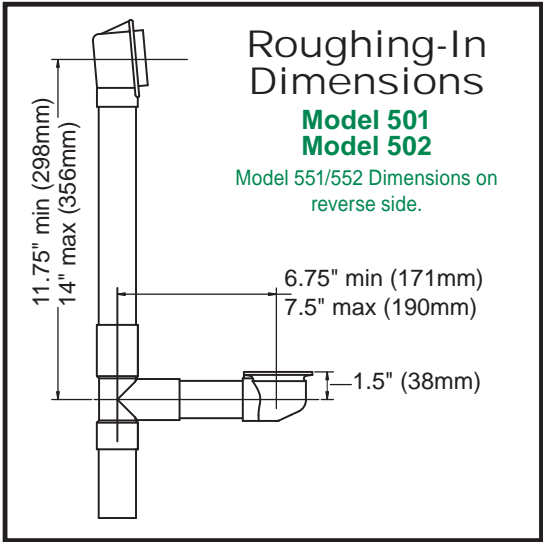
 **ADA** PRESFLO® (PF) and Foot Actuated (FA) only

### OPTIONS:

- Brass Ferrules (add code "F" to part number)
- New York Lay-Down Tee (add code "NY" to part number)
- Slip-'N-Solder (no compression slip joints, add Code "U")
- Special lengths available:
  - Overflow extension (add code "EXlength") example: EX6
  - Drain extension (add code "Dlength") example: D4

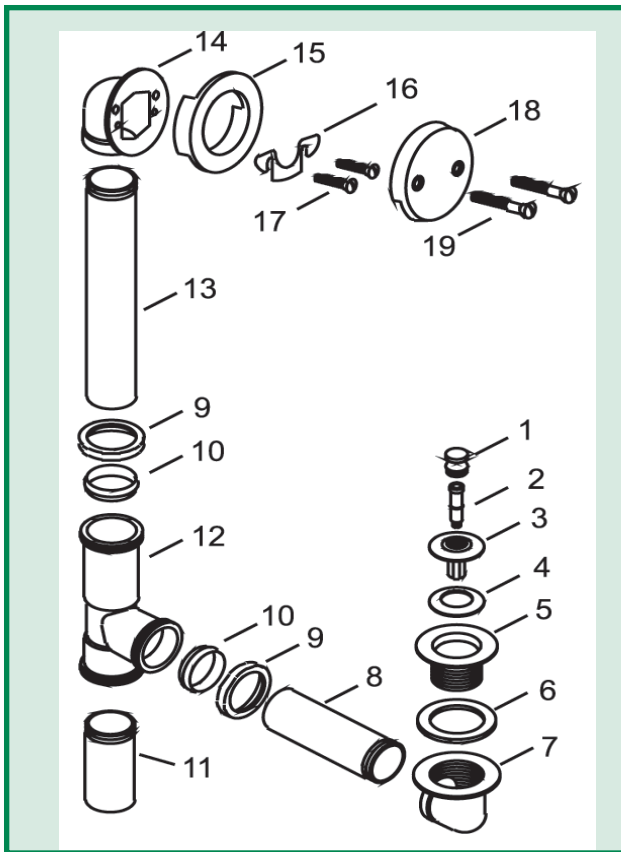
See price list for complete item numbers and available options.

When ordering, please specify complete item number and any applicable option codes.



For More Information Contact:  
**WATCO Manufacturing Company**  
 1220 South Powell Road  
 Independence, MO 64057-2724  
 Ph. 816-796-3900 • FAX 816-796-0875  
[www.watcomfg.com](http://www.watcomfg.com)

# 501/502 and 551/552 Series Parts List



Item	Part #	Description
1.	01010CP	PUSH PULL® Knob, metal
2.	11510	Friction Ring (11505) and Post (11532)
3.	01013CP	Stopper, metal
4.	11507	Seal, 1 1/16" dia.
5.	01016CP	Strainer Body, metal, 1.865" - 11.5 - 1.25"
6.	10696	Drain Ell Washer, 1.5" gray
7.	44006	Brass Drain Ell, 1.5" - 11.5
8.	17GA-4.75	Drain Ell Tube (17g), 4.75"
	20GA-4.75	Drain Ell Tube (20g), 4.75"
		<b>For 551-PP:</b> 17GA-9.625 ..... Drain Ell Tube (17g), 9.625"
		<b>For 552-PP:</b> 20GA-9.625 ..... Drain Ell Tube (20g), 9.625"
9.	41580	Brass Slip Nut
10.	11583	Slip Joint Polywasher
11.	17GA-3.5	Tail Piece (17g), 3.5"
	20GA-3.5	Tail Piece (20g), 3.5"
12.	44001	Brass Tee
13.	17GA-9.625	Overflow Ell Tube (17g), 9.625"
	20GA-9.625	Overflow Ell Tube (20g), 9.625"
		<b>For 551-PP:</b> 17GA-18.12.. Overflow Ell Tube (17g), 18.125"
		<b>For 552-PP:</b> 20GA-18.12.. Overflow Ell Tube (20g), 18.125"
14.	44003	Overflow Ell, Brass
15.	40675	Overflow Ell Washer for Brass
16.	11530	Retainer Plate
17.	41540	Retainer Plate Screw
18.	01003CP	Overflow Plate, 2-Hole, metal
19.	01024CP	Overflow Plate Screw, 2.25"

## OPTIONAL TUB CLOSURES FOR 501/502-SERIES BATH WASTES (PUSH PULL® ALSO SHOWN ABOVE)

PUSH PULL® Coarse Thread		LIFT & TURN Coarse Thread		PRESFLO® Coarse Thread		FOOT ACTUATED Coarse Thread	
	<ol style="list-style-type: none"> <li>01010CP 01010_*</li> <li>11510</li> <li>01013CP 01013_*</li> <li>11507</li> <li>01016CP 01016_*</li> </ol>		<ol style="list-style-type: none"> <li>01010CP 01010_*</li> <li>11079</li> <li>11088</li> <li>11290CP 01013_*</li> <li>11507</li> <li>11492CP 01016_*</li> </ol>		<ol style="list-style-type: none"> <li>11145CP 11145_*</li> <li>11132</li> <li>11060CP 11060_*</li> <li>96039: Suction Cup for removing stopper</li> </ol>		<ol style="list-style-type: none"> <li>38412CP 38412_*</li> <li>11492CP 01016_*</li> </ol>
U.S. Pat. No. 4,720,877		U.S. Pat. No. 5,758,368		U.S. Pat. No. 4,457,030			

**\*If finish other than Chrome is desired, please use this part number and indicate desired finish.**

## Finishes Available in the 501/551 Series:

Tub Closures:	PUSH PULL®	LIFT & TURN	PRESFLO®	FOOT ACT.
CP - Chrome Plated	•	•	•	•
AP - Aged Pewter	•	•	•	
AB - Antique Brass	•	•		
BB - Brushed Bronze	•	•	•	
BN - Brushed Nickel	•	•	•	
BO - Bone	•	•		
BS - Biscuit	•	•		
BZ - Oil-Rubbed Bronze	•	•	•	•
CB - Chrome Brushed	•	•	•	
NP - Nickel Polished	•	•	•	•
PB - Polished Brass	•	•	•	•
PN - Pearl Nickel	•	•	•	
WH - White	•	•		
WI - Wrought Iron	•	•	•	

