

Tubular Brass

Model 501/502-NY

Model 551/552-NY

With New York Lay-Down Tee

Sturdy 1.5" 17g and 20g Tubular Brass Slip-Joint Assembly

SPECIFICATIONS

FEATURES:

- New lay-down tee allows both above-the-floor and through-the-floor installations.
- Extended drain allows tee to be installed either way without sacrificing adjustability.
- Designed for heavy-duty use in hotels, motels, and rental properties.
- Available on all Watco brass bath wastes; just add "NY" to the item number.
- Includes three brass slip nuts and slip joint washers; does not include a tailpiece.
- Retainer plate for overflow ell.

APPROVALS (501/502, 551/552):

- IAPMO (UPC) approved, File 2255.
- Complies with ASME A112.18.2-2005/ CSA B125.2-05, TIL MSE-051.

PATENTS:

- U.S. Pat. Numbers 4,457,030, 4,720,877, or 5,758,368; and Patents Pending

THREAD SIZE (Strainer Body and Drain Elbow):

- 1 $\frac{1}{2}$ " – 11 $\frac{1}{2}$ " NPSM (Coarse Thread)
- 1.865" Major Diameter (outside thread diameter)
- 11.5 threads per inch

PIPING:

- 17g: 501/551 models
- 20g: 502/552 models



OPTIONS:

- Brass Ferrules (add code "F" to part number)
- Slip-'N-Solder (no compression slip joints), Code "U"
- Special lengths available:
 - Overflow extension (add code "EXlength") *example: EX6*
 - Drain extension (add code "Dlength") *example: D4*



ADA

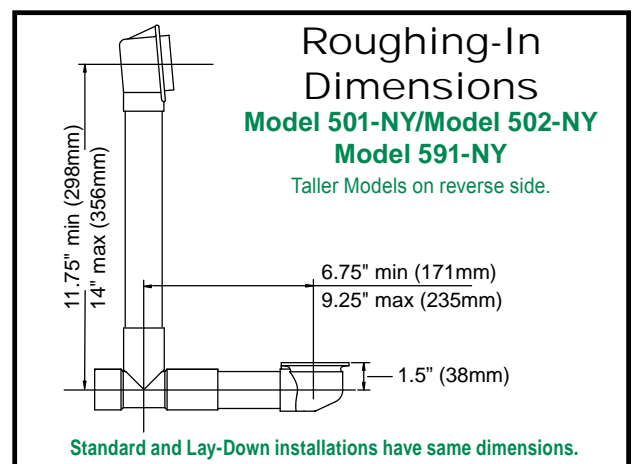
PRESFLO® (PF) and
Foot Actuated (FA) only

See price list for complete item numbers and available options.

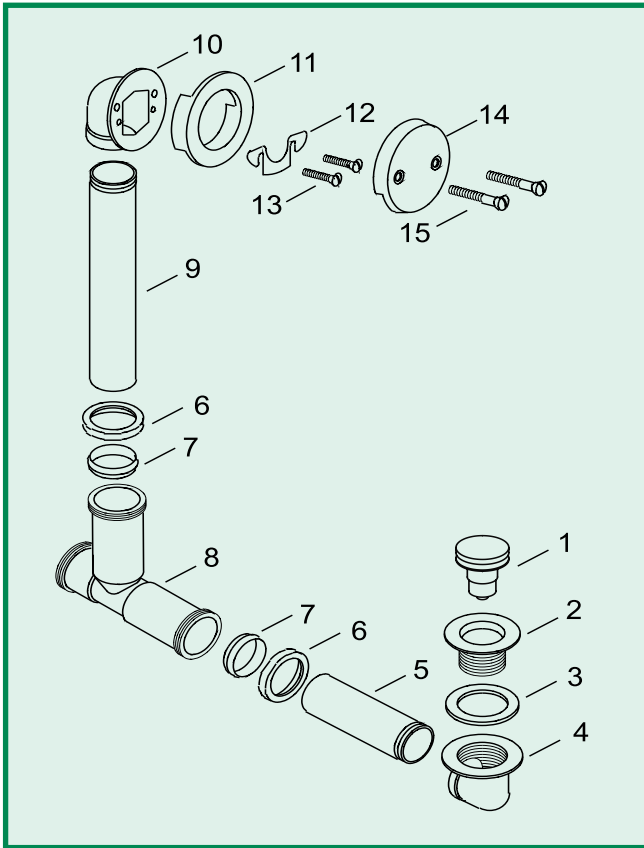
When ordering, please specify complete item number and any applicable option codes.



For More Information Contact:
WATCO Manufacturing Company
1220 South Powell Road
Independence, MO 64057-2724
Ph. 816-796-3900 • FAX 816-796-0875
www.watcomfg.com



501/502 – 551/552 NY Series Parts List



Item	Part #	Description
1.	38412__*	Foot Actuated Stopper
2.	11492CP.....	Strainer Body, zinc, 1.865" - 11.5 - 1.25"
	01016__*	Strainer Body, brass, 1.865" - 11.5 - 1.25"
3.	10696.....	Drain Ell Washer, 1.5" gray, CT
4.	44006.....	Brass Drain Ell, 1 1/2" - 11.5
5.	17GA-4.75.....	Drain Ell Tube (17g), 4.75"
	20GA-4.75.....	Drain Ell Tube (20g), 4.75"
		For 551-: 17GA-9.625.....Drain Ell Tube (17g), 9.625"
		For 552-: 20GA-9.625.....Drain Ell Tube (20g), 9.625"
6.	41580.....	Brass Slip Nut
7.	11583.....	Slip Joint Polywasher <u>OR</u>
	41583.....	Brass Ferrule
8.	44012.....	Brass Extended Lay-Down Tee
9.	17GA-9.625.....	Overflow Ell Tube (17g), 9.625"
	20GA-9.625.....	Overflow Ell Tube (20g), 9.625"
		For 551-: 17GA-18.12.....Overflow Ell Tube (17g), 18.125"
		For 552-: 20GA-18.12.....Overflow Ell Tube (20g), 18.125"
10.	44003.....	Overflow Ell, Brass
11.	40675.....	Overflow Ell Washer for Brass
12.	11530.....	Retainer Plate
13.	41540.....	Brass Screw for Brass Retainer Plate
14.	01003__*	Overflow Plate, 2-Hole, metal
15.	01024__*	Overflow Plate Screw, 2.25"

* Indicate finish desired.

OPTIONAL TUB CLOSURES FOR 501/502-NY SERIES BATH WASTES (Foot Actuated also shown above)

	PUSH PULL® Coarse Thread	LIFT & TURN Coarse Thread	PRESFLO® Coarse Thread	FOOT ACTUATED Coarse Thread
	1. 01010CP 01010__* 2. 11510 3. 01013CP 01013__* 4. 11507 5. 01016CP 01016__*	1. 01010CP 01010__* 2. 11079 3. 11088 4. 11290CP 01013__* 5. 11507 6. 11492CP 01016__*	1. 11145CP 11145__* 2. 11132 3. 11060CP 11060__* 4. 96039: Suction Cup for removing stopper	1. 38412CP 38412__* 2. 11492CP 01016__*
	U.S. Pat. No. 4,720,877	U.S. Pat. No. 5,758,368	U.S. Pat. No. 4,457,030	

**If finish other than Chrome is desired, please use this part number and indicate desired finish.*

Finishes Available in the 501/551/591-NY Series:

Tub Closures:	PUSH PULL®	LIFT & TURN	PRESFLO®	FOOT ACT.
CP - Chrome Plated	•	•	•	•
AB - Antique Brass	•	•	•	
AP - Aged Pewter	•	•	•	
BB - Brushed Bronze	•	•	•	
BN - Brushed Nickel	•	•	•	•
BO - Bone	•	•	•	
BS - Biscuit	•	•	•	
BZ - Oil-Rubbed Bronze	•	•	•	•
CB - Chrome Brushed	•	•	•	
NP - Nickel Polished	•	•	•	•
PB - Polished Brass	•	•	•	•
PN - Pearl Nickel	•	•	•	
WH - White	•	•	•	
WI - Wrought Iron	•	•	•	

