



Not to be used in above-the-floor rough-in.

See price list for complete item numbers and available options.

When ordering, please specify complete item number and any applicable option codes.



For More Information Contact:
WATCO Manufacturing Company
 1220 South Powell Road
 Independence, MO 64057-2724
 Ph. 816-796-3900 • FAX 816-796-0875
www.watcomfg.com

Tubular Brass

TURNSTYLE® 501-TS

TURNSTYLE® 502-TS

For most tubs 14" - 16" high

TURNSTYLE® 551-TS

TURNSTYLE® 552-TS

For most tubs up to 24" high

**Sturdy 1.5" 17g and 20g Tubular Brass
 Slip-Joint Assembly**

SPECIFICATIONS

FEATURES:

- Will fit most tub angles
- The look of a cable drive without the potential for behind-the-wall repair.
- Strainer body cover catches hair.
- Metal handle and strainer body.
- No stopper in drain ell, therefore...
 - no stopper adjustments required
 - theft resistant
 - no stubbing-the-toe injuries
- Retainer plate for overflow elbow

APPROVALS:

- Manufactured in compliance with ASME A112.18.2-2005/CSA B125.2-2005; and TIL MSE-051.

PATENTS:

- U.S. Patent Number 6,173,459 B1

OPERATION:

- Turn overflow plate clockwise to close drain and counter-clockwise to open drain.

THREAD SIZE (Strainer Body and Drain Elbow):

- 1½" – 11½ NPSM (Coarse Thread)
- 1.865" Major Diameter (outside thread diameter)
- 11.5 threads per inch

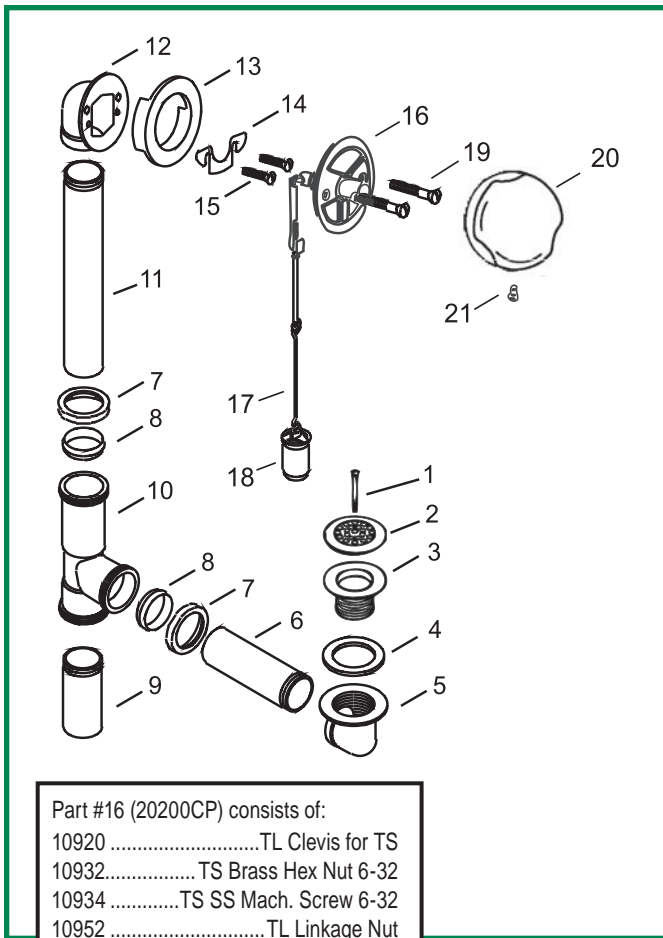
PIPING:

- 17g: 501 models
- 20g: 502 models

FINISHES:

- CP - Chrome Plated
- BN - Brushed Nickel
- BO - Bone
- BS - Biscuit
- BZ - Oil-Rubbed Bronze
- CB - Chrome Brushed
- NP - Nickel Polished
- PB - Polished Brass
- PN - Pearl Nickel
- WH - White
- WI - Wrought Iron

501-TS/502-TS and 551-TS/552-TS Series Parts List



Part #16 (20200CP) consists of:

- 10920TL Clevis for TS
- 10932..... TS Brass Hex Nut 6-32
- 10934TS SS Mach. Screw 6-32
- 10952TL Linkage Nut
- 10953 Top Linkage Eye Bolt
- 20020CPTS OF Mount w/Prongs
- 20041.....TS Turning Pin
- 20042TS Turning Pin Sleeve
- 20043Cable Stop

Item	Part #	Description
1.	01040CP.....	Strainer Cover Plate Screw
2.	01006CP.....	Strainer Cover Plate
3.	11495CP.....	Zinc Strainer Body, 1.865" - 11.5 - 1.25"
4.	10696.....	Drain Ell Washer, gray
5.	44006.....	Brass Drain Ell, 1.5" - 11.5
6.	17GA-4.625.....	Pipe, Tubular Brass, 17g, 1.5" x 4.625"
	20GA-4.625...	Pipe, Tubular Brass, 20g, 1.5" x 4.625"
7.	41580.....	Brass Slip Nut
8.	11583.....	Slip Joint Polywasher, 1.5"
9.	17GA-3.5.....	Pipe, Tubular Brass, 17g, 1.5" x 3.5"
	20GA-3.5.....	Pipe, Tubular Brass, 20g, 1.5" x 3.5"
10.	44001.....	Tee, Brass
11.	17GA-9.625.....	Pipe, Tubular Brass, 17g, 1.5" x 9.625"
	20GA-9.625...	Pipe, Tubular Brass, 20g, 1.5" x 9.625"
12.	44003.....	Overflow Ell, Brass
13.	40675.....	Overflow Ell Washer for Brass
14.	11530.....	Retainer Plate
15.	41540.....	Retainer Plate Screw for Brass
16.	20200CP.....	TURNSTYLE® Assembly
17.	10954.....	TL Double-Loop Wire, 5.25"
18.	41005.....	Brass Drop Cylinder for Brass
19.	01024CP.....	Overflow Plate Screw, 2.25"
20.	20030CP.....	Cable Overflow Plate
21.	20140.....	Cable Overflow Plate Locking Screw

Roughing-In Dimensions:

