

# Tubular Brass

## Model 501/502-U

For most regular tubs

## Model 551/552-U

For most deeper tubs

**Sturdy 1.5" 17g and 20g Tubular Brass  
No Compression Slip Joints**

## Slip 'N Solder<sup>®</sup>

### SPECIFICATIONS

#### FEATURES:

- Simply solder two tubes (just like copper fittings).
- No need for an access panel.
- Eliminates need for exact lengths.
- Available on most Watco brass bath wastes; just add "U" to the item number.
- Designed for heavy-duty use in hotels, motels, and rental properties.
- Retainer plate for overflow ell.

#### APPROVALS (501/502, 551/552):

- Manufactured in compliance with ASME A112.18.2-2005/CSA B125.2-2005; TIL MSE-051.

#### PATENTS:

- U.S. Pat. Numbers 4,457,030; 4,720,877; 5,758,368; and Patents Pending

#### THREAD SIZE (Strainer Body and Drain Elbow):

- 1 1/2" – 1 1/2 NPSM (Coarse Thread)
- 1.865" Major Diameter (outside thread diameter)
- 11.5 threads per inch

#### PIPING:

- 17g: 501/551 models
- 20g: 502/552 models



Model 551  
Slip 'N Solder

#### OPTIONS:

- Special lengths available:
  - Overflow extension (add code "EXlength") example: EX6
  - Drain extension (add code "Dlength") example: D4



**ADA**

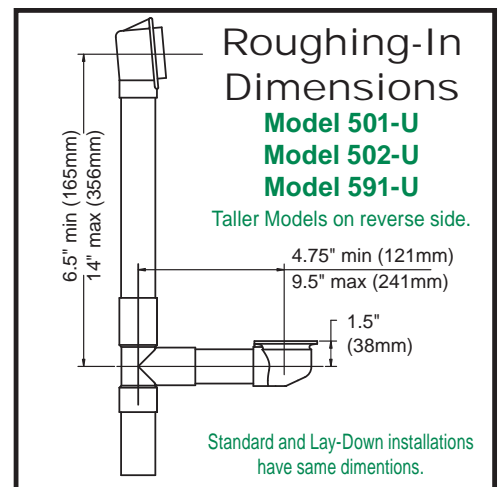
PRESFLO<sup>®</sup> (PF) and  
Foot Actuated (FA) only

See price list for complete item numbers and available options.

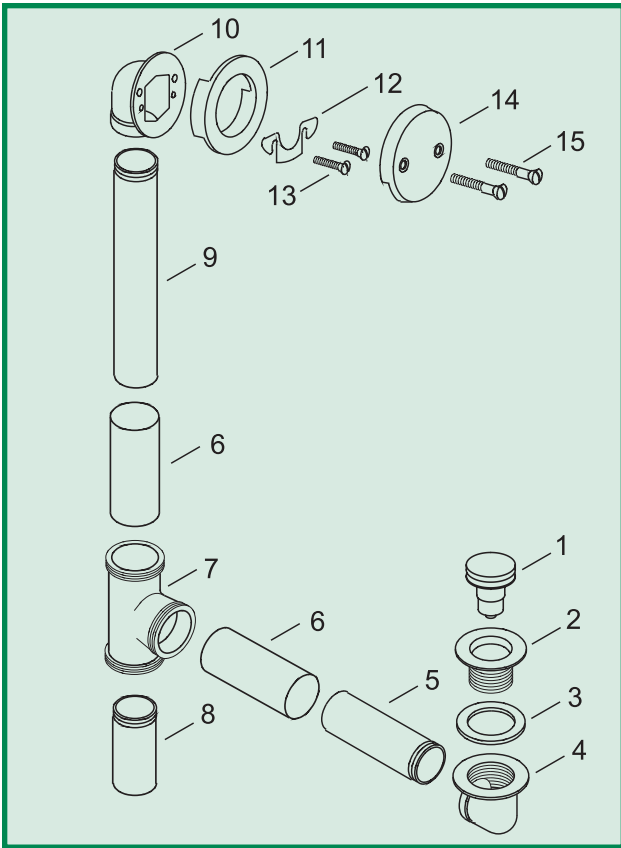
When ordering, please specify complete item number and any applicable option codes.



For More Information Contact:  
**WATCO Manufacturing Company**  
1220 South Powell Road  
Independence, MO 64057-2724  
Ph. 816-796-3900 • FAX 816-796-0875  
[www.watcomfg.com](http://www.watcomfg.com)



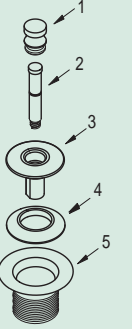
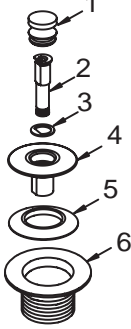
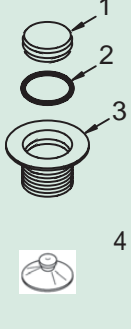
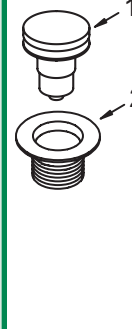
# 501/502 – 551/552 U Series Parts List



Item	Part #	Description
1.	38412__ *	Foot Actuated Stopper, 3/8" pin
2.	11492CP	Strainer Body, Zinc, 1.865" - 11.5 - 1.25"
	01016__ *	Strainer Body, Brass, 1.865" - 11.5 - 1.25"
3.	10696	Drain Ell Washer, 1.5" gray, CT
4.	44006	Brass Drain Ell, 1 1/2" - 11.5
5.	17GA-4.75	Drain Ell Tube (17g), 4.75"
	20GA-4.75	Drain Ell Tube (20g), 4.75"
	<b>For 551:-</b> 17GA-9.625	Drain Ell Tube (17g), 9.625"
	<b>For 552:-</b> 20GA-9.625	Drain Ell Tube (20g), 9.625"
6.	41021	1.508 I.D. Slip Tube, 17g Brass, 3"
7.	U80256	Brass Tee with Seat
8.	17GA-3.5	Drain Ell Tube (17g), 3.5"
	20GA-3.5	Drain Ell Tube (20g), 3.5"
9.	17GA-9.625	Overflow Ell Tube (17g), 9.625"
	20GA-9.625	Overflow Ell Tube (20g), 9.625"
	<b>For 551:-</b> 17GA-18.12	Overflow Ell Tube (17g), 18.125"
	<b>For 552:-</b> 20GA-18.12	Overflow Ell Tube (20g), 18.125"
10.	44003	Overflow Ell, Brass
11.	40675	Overflow Ell Washer for Brass
12.	11530	Retainer Plate
13.	41540	Brass Screw for Brass Retainer Plate
14.	01003__ *	Overflow Plate, 2-Hole, metal
15.	01024__ *	Overflow Plate Screw, 2.25"

\* Please indicate finish desired.

## OPTIONAL TUB CLOSURES FOR 501/502/591-U SERIES BATH WASTES (Foot Actuated also shown above)

 PUSH PULL® Coarse Thread	 LIFT & TURN Coarse Thread	 PRESFLO® Coarse Thread	 FOOT ACTUATED Coarse Thread
1. 01010CP 01010__ *	1. 01010CP 01010__ *	1. 11145CP 11145__ *	1. 38412CP 38412__ *
2. 11510	2. 11079	2. 11132	2. 11492CP
3. 01013CP 01013__ *	3. 11088	3. 11060CP 11060__ *	01016__ *
4. 11507	4. 11290CP 01013__ *	4. 96039: Suction Cup for removing stopper	
5. 01016CP 01016__ *	5. 11507		
	6. 11492CP 01016__ *		

U.S. Pat. No. 4,720,877      U.S. Pat. No. 5,758,368      U.S. Pat. No. 4,457,030

*\*If finish other than Chrome is desired, please use this part number and indicate desired finish.*

## Finishes Available in the 501/551/591-U Series:

Tube Closures:	PUSH PULL®	LIFT & TURN	PRESFLO®	FOOT ACT.
CP - Chrome Plated	●	●	●	●
AB - Antique Brass	●	●	●	●
AP - Aged Pewter	●	●	●	●
BB - Brushed Bronze	●	●	●	●
BN - Brushed Nickel	●	●	●	●
BO - Bone	●	●	●	●
BS - Biscuit	●	●	●	●
BZ - Oil-Rubbed Bronze	●	●	●	●
CB - Chrome Brushed	●	●	●	●
NP - Nickel Polished	●	●	●	●
PB - Polished Brass	●	●	●	●
PN - Pearl Nickel	●	●	●	●
WH - White	●	●	●	●
WI - Wrought Iron	●	●	●	●

