

Tubular Plastic Polypropylene

Innovator[®] 595 Direct Drain

For most tubs 14" - 16" high

**Durable 1.5" Tubular Plastic
with Tubular Polypropylene
Slip-Joint Assembly**

SPECIFICATIONS

FEATURES:

- Eliminates all screws
- Eliminates leaks due to loose overflow attachment
- Eliminates dual inventory of one- and two-hole overflow plates
- Metal strainer body for cast iron or plastic tubs

PATENTS:

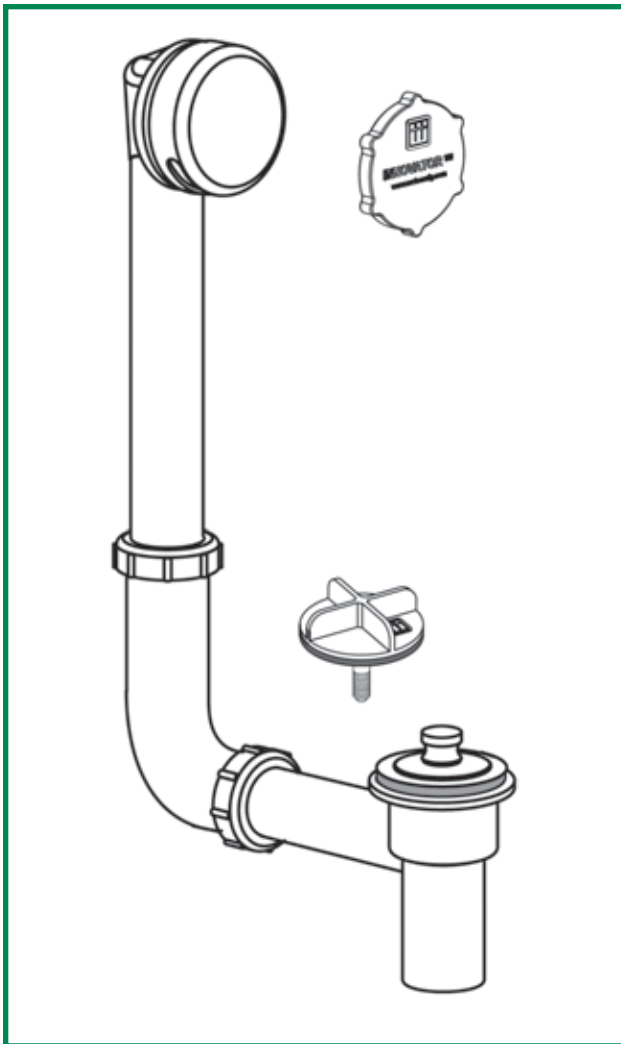
- U.S. Pat. 4,457,030; 4,720,877; 5,758,368

THREAD SIZE (Strainer Body and Drain Tee):

- 1 $\frac{1}{2}$ " – 11 $\frac{1}{2}$ NPSM (Coarse Thread)
- 1.865" Major Diameter (outside thread diameter)
- 11.5 threads per inch

PIPING:

- Polypropylene with PVC overflow elbow



ADA

PRESFLO[®] (PF) and
Foot Actuated (FA) only

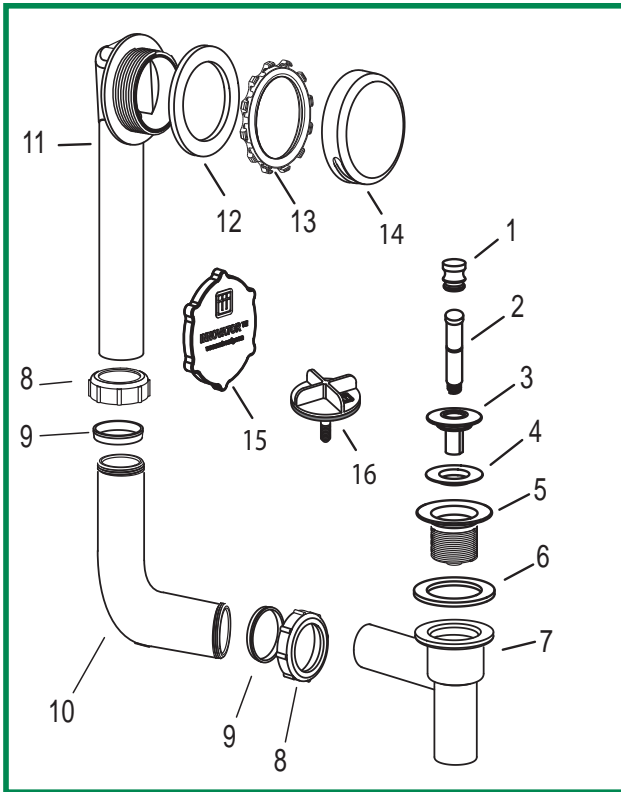
See price list for complete item numbers and available options.

When ordering, please specify complete item number and any applicable option codes.



For More Information Contact:
WATCO Manufacturing Company
1220 South Powell Road
Independence, MO 64057-2724
Ph. 816-796-3900 • FAX 816-796-0875
www.watcomfg.com

595 Direct Drain Series Parts List



Item	Part #	Description
1.	01010CPKnob, Brass
2.	11510Friction Ring (11505) and Pin (11532)
3.	01013CPStopper, Brass
4.	11507Seal, 1 1/16" dia.
5.	01016CPStrainer Body, Brass, 1.865" - 11.5 x 1.25"
6.	10696Drain Ell Washer, 1.5", gray
7.	10081Drain Tee for Direct Drain-Polypropylene
8.	11580Slip Joint Nut, ABS, 1.5"
	11581Slip Joint Nut, PVC, 1.5"
9.	11583Slip Joint Polywasher, 1.5"
10.	10080Elbow for Direct Drain-Polypropylene
11.	11019Innovator® Overflow Ell, Tubular ABS
	14019Innovator® Overflow Ell, Tubular PVC
12.	10675Overflow Ell Washer, Foam
13.	11121ABS Retainer Star Nut for Innovator®
14.	01004CPInnovator® Overflow Plate
15.	11114Innovator® Overflow Ell Test Cap Assembly
16.	11575Green Test Plug with O-Ring-type Gasket

OPTIONAL TUB CLOSURES FOR 595-SERIES BATH WASTES (PUSH PULL® ALSO SHOWN ABOVE)

PUSH PULL® Coarse Thread	LIFT & TURN Coarse Thread	PRESFLO® Coarse Thread	FOOT ACTUATED Coarse Thread
<ol style="list-style-type: none"> 01010CP 01010* 11510 01013CP 01013* 11507 01016CP 01016* <p>U.S. Pat. No. 4,720,877</p>	<ol style="list-style-type: none"> 01010CP 01010* 11079 11088 11290CP 01013* 11507 11492CP 01016* <p>U.S. Pat. No. 5,758,368</p>	<ol style="list-style-type: none"> 11145CP 11145* 11132 11060CP 11060* 96039: Suction Cup for removing stopper <p>U.S. Pat. No. 4,457,030</p>	<ol style="list-style-type: none"> 38412CP 38412* 11492CP 01016*

***If finish other than Chrome is desired, please use this part number and indicate desired finish.**

Finishes Available in the 595 Series:

Tub Closures:	PUSH PULL®	LIFT & TURN	PRESFLO®	FOOT ACT.
CP - Chrome Plated	●	●	●	●
AB - Antique Brass				
AP - Aged Pewter	●	●	●	
BB - Brushed Bronze	●	●	●	
BN - Brushed Nickel	●	●	●	●
BO - Bone	●	●		
BS - Biscuit	●	●		
BZ - Oil-Rubbed Bronze	●	●	●	●
CB - Chrome Brushed	●	●	●	
NP - Nickel Polished	●	●	●	●
PB - Polished Brass	●	●	●	●
PN - Pearl Nickel	●	●	●	
WH- White	●	●		
WI - Wrought Iron	●	●	●	