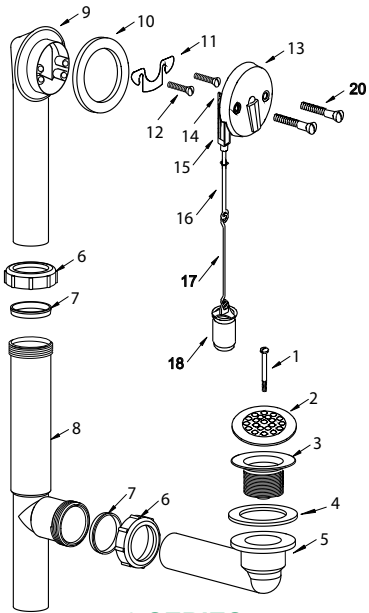




Always A Step Ahead

Instructions for Sizing/Cutting the Tubular Plastic 550 Series and Tubular Brass 551/552 Series

PRODUCTS WILL FIT ALL BATH TUBS FROM 13-1/4" TO 22-1/2" DEEP.



550 SERIES

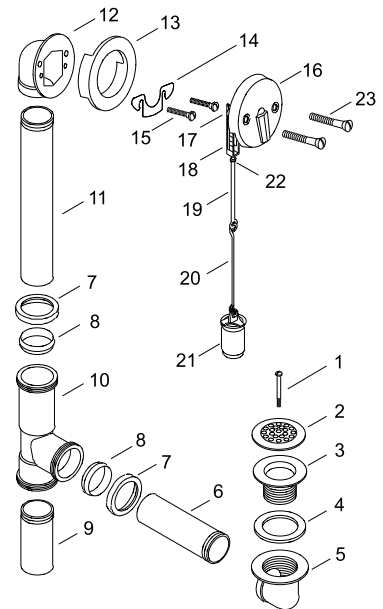
- Step 1:** Measure the depth from the center of the tub overflow hole to the tub drain.
- Step 2: Cutting Overflow Tube:** From your measurement in Step 1, look at the table below and cut off the amount specified for that length.
- Step 3: Selecting Correct Double-Loop Wire:** From your measurement in Step 1, look at the table below and select the wire specified for that length.

TABLE FOR 550 SERIES TUBULAR PLASTIC

YOUR MEASUREMENT	TUBE: MARK/CUT ITEM #9	USE WIRE
13 1/4" to 15 1/2"	Cut 4" off bottom of #9	B
15 1/4" to 17 1/2"	Cut 4" off bottom of #9	C
17 1/4" to 20"	No Cut	D
20" to 22 1/2"	No Cut	E

TABLE FOR 551/552 SERIES TUBULAR BRASS

YOUR MEASUREMENT	TUBE: MARK/CUT ITEM #11	USE WIRE
13 1/4" to 15 1/2"	Cut <u>exactly</u> 7" off bottom of #11	B
15 1/4" to 17 1/2"	Cut <u>exactly</u> 5" off bottom of #11	C
17 1/4" to 20"	Cut <u>exactly</u> 3" off bottom of #11	D
20" to 22 1/2"	No Cut	E



551/552 SERIES

WATCO MANUFACTURING COMPANY

1220 South Powell Road • Independence, MO 64057-2724
 Phone: 816-796-3900 • 800-821-8576 / Fax: 816-796-0875 • 800-399-2826
www.watcomfg.com

For Assistance, call:

800-821-8576

Monday-Friday: 8:00 a.m.-4:30 p.m. CT

Form 550/551. - Rev. 6/09