

Schedule 40

SLIP LOCK® 600-SL

For most tubs 14" - 16" high

**Sturdy 1.5" Schedule 40 PVC and ABS
Solvent-Weld Assembly**

SPECIFICATIONS

FEATURES:

- SLIP LOCK® device automatically sets drop cylinder.
- Designed for heavy-duty use in hotels, motels, and rental properties.
- Strainer body cover catches hair
- Retainer plate for overflow ell.

APPROVALS:

- IAPMO, SBCCI
- Conforms to ANSI/ASTM F409-88.

PATENTS:

- See <http://watcomfg.com/Watco/patents/> for Details

OPERATION:

- Move lever, located on Overflow Plate, up to close drain and down to open drain.

THREAD SIZE (Strainer Body and Drain Elbow):

- 1½" – 11½ NPSM (Coarse Thread)
- 1.865" Major Diameter (outside thread diameter)
- 11.5 threads per inch

PIPING:

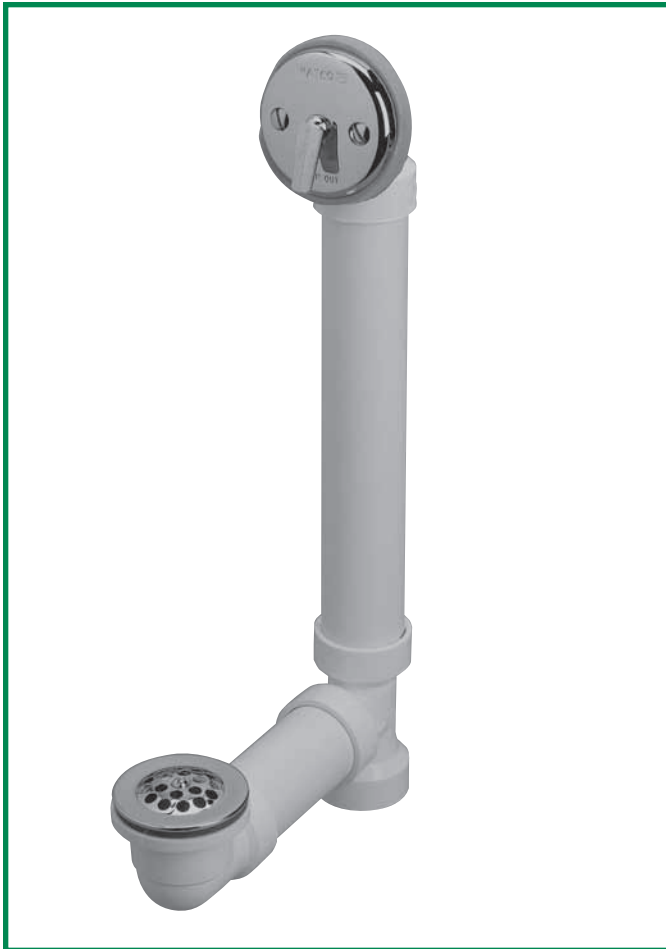
- PVC ABS

OPTIONS:

- Special lengths available:
 - Overflow extension (add code "EXlength")
example: EX6
 - Drain extension (add code "Dlength") example: D4

FINISHES:

- CP - Chrome Plated
- BN - Brushed Nickel
- BO - Bone
- BS - Biscuit
- BZ - Oil-Rubbed Bronze
- CB - Chrome Brushed
- NP - Nickel Polished
- PB - Polished Brass
- PN - Pearl Nickel
- WH - White
- WI - Wrought Iron



See price list for complete item numbers and available options.

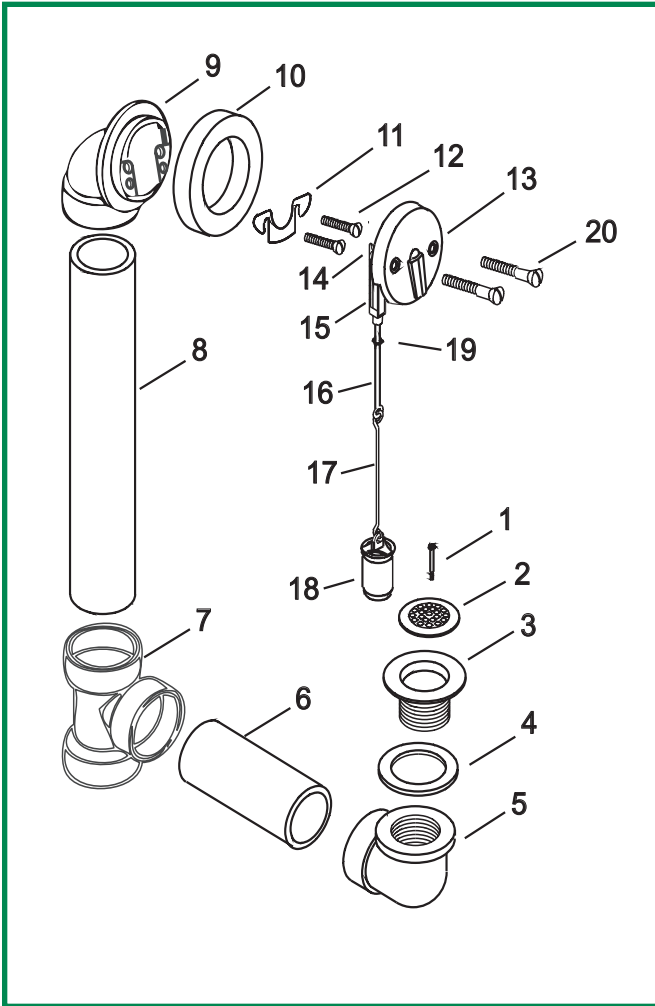
When ordering, please specify complete item number and any applicable option codes.

WATCO



For More Information Contact:
WATCO Manufacturing Company
1220 South Powell Road
Independence, MO 64057-2724
Ph. 816-796-3900 • FAX 816-796-0875
www.watcomfg.com

600-SL Series Parts List



Item	Part #	Description
1.	01040CP.....	Strainer Cover Plate Screw
2.	01006CP.....	Strainer Cover Plate
3.	11495CP.....	Zinc Strainer Body, 1.865" - 11.5 - 1.25"
4.	10696.....	Drain Ell Washer, gray
5.	11008	Drain Ell, Schedule 40, ABS
	14008.....	Drain Ell, Schedule 40, PVC
6.	11605	Pipe, Schedule 40, ABS, 1.5" x 4.625"
	11606.....	Pipe, Schedule 40, PVC, 1.5" x 4.625"
7.	11017.....	Tee with Seat, Schedule 40, ABS
	14017.....	Tee with Seat, Schedule 40, PVC
8.	11605	Pipe, Schedule 40, ABS, 1.5" x 11.75"
	11606.....	Pipe, Schedule 40, PVC, 1.5" x 11.75"
9.	10096.....	Overflow Elbow, 2-Hole, Schedule 40, ABS
	10098.....	Overflow Elbow, 2-Hole, Schedule 40, PVC
10.	10675	Overflow Ell Washer, Foam
11.	11531.....	Retainer Plate for 2-hole Schedule 40
12.	11540	Retainer Plate Screw
13.	10700CP.....	Trip Lever Faceplate Assembly
14.	10930.....	Cotter Pin Special Annealed
15.	10960.....	SLIP LOCK® Clevis with Head Assembly
16.	10953.....	Top Linkage Eye Bolt
17.	10954.....	TL Double-Loop Wire, 5.25"
18.	11005	Drop Cylinder for ABS
	14005.....	Drop Cylinder for PVC
19.	10952.....	Trip Lever Linkage Nut
20.	01024CP.....	Overflow Plate Screw, 2.25"

Roughing-In Dimensions:

