

Schedule 40

TURNSTYLE® 600-TS
For most tubs 14" - 16" high

TURNSTYLE® 650-TS
For most tubs up to 24" high

**Sturdy 1.5" Schedule 40 PVC and ABS
Solvent-Weld Assembly**

SPECIFICATIONS

FEATURES:

- Will fit most angle tubs.
- The look of a cable drive without the potential for behind-the-wall repair.
- Strainer body cover catches hair.
- Metal handle and strainer body.
- No stopper in drain elbow, therefore...no stopper adjustments are required, no stubbing-the-toe injuries, and theft resistant.
- Retainer plate for overflow elbow

APPROVALS:

- Manufactured in compliance with ASME A112.18.2-2005/CSA B125.2-2005.

PATENTS:

- U.S. Pat. Number 6,173,459 B1; and Patents Pending

OPERATION:

- Turn overflow plate to the left to open drain and to the right to close drain.

THREAD SIZE (Strainer Body and Drain Elbow):

- 1½" – 11½ NPSM (Coarse Thread)
- 1.865" Major Diameter (outside thread diameter)
- 11.5 threads per inch

PIPING:

- PVC ABS

OPTIONS:

- Special lengths available:
 - Overflow extension (add code "EXlength")
example: EX6
 - Drain extension (add code "Dlength") example: D4

FINISHES:

- CP - Chrome Plated NP - Nickel Polished
- BN - Brushed Nickel PB - Polished Brass
- BO - Bone PN - Pearl Nickel
- BS - Biscuit WH - White
- BZ - Oil-Rubbed Bronze WI - Wrought Iron
- CB - Chrome Brushed



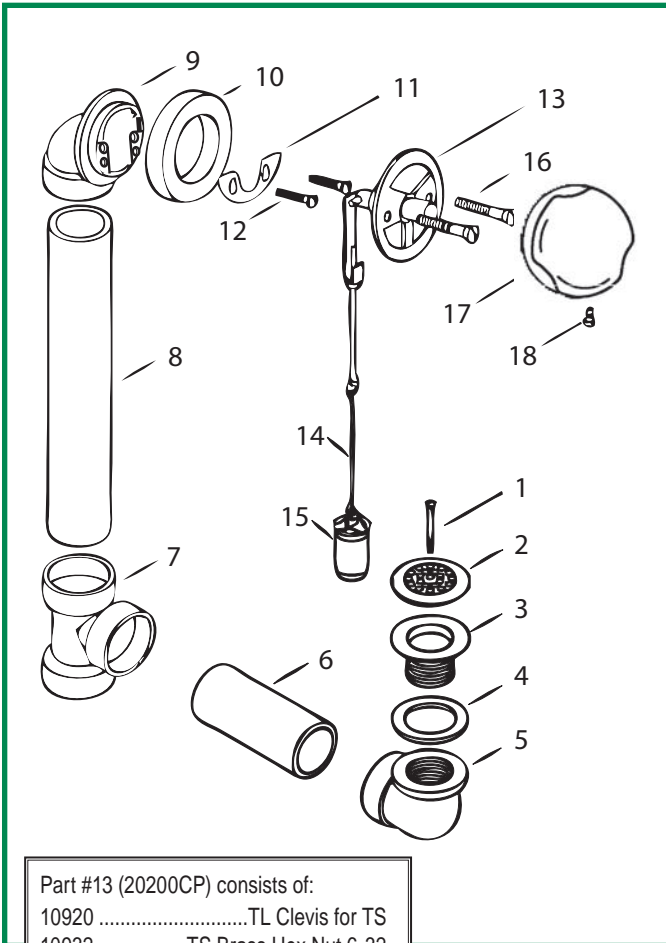
See price list for complete item numbers and available options.

When ordering, please specify complete item number and any applicable option codes.



For More Information Contact:
WATCO Manufacturing Company
1220 South Powell Road
Independence, MO 64057-2724
Ph. 816-796-3900 • FAX 816-796-0875
www.watcomfg.com

600-TS/650-TS Series Parts List



Part #13 (20200CP) consists of:

- 10920TL Clevis for TS
- 10932..... TS Brass Hex Nut 6-32
- 10934TS SS Mach. Screw 6-32
- 10952 TL Linkage Nut
- 10953 Top Linkage Eye Bolt
- 20020CPTS OF Mount w/Prongs
- 20041.....TS Turning Pin
- 20042TS Turning Pin Sleeve
- 20043Cable Stop

Item	Part #	Description
1.	01040CPStrainer Cover Plate Screw
2.	01006CPStrainer Cover Plate
3.	11495CPZinc Strainer Body, 1 1/2" - 11.5
4.	10696Drain Ell Washer
5.	11008Drain Ell, Schedule 40, ABS
	14008Drain Ell, Schedule 40, PVC
6.	SCHABS-4.625	...Pipe, Schedule 40, ABS, 1.5" x 4.625"
	SCHPVC-4.625	...Pipe, Schedule 40, PVC, 1.5" x 4.625"
7.	11017Tee with Seat, Schedule 40, ABS
	14017Tee with Seat, Schedule 40, PVC
8.	SCHABS-12Pipe, Schedule 40, ABS, 1.5" x 12.0"
	SCHPVC-12Pipe, Schedule 40, PVC, 1.5" x 12.0"
9.	10096Overflow Elbow, 2-Hole, Schedule 40, ABS
	10098Overflow Elbow, 2-Hole, Schedule 40, PVC
10.	10675Overflow Ell Washer, Foam
11.	11531Retainer Plate for Schedule 40
12.	11540Retainer Plate Screw
13.	20200CPTURNSTYLE® Assembly
14.	10954TL Double-Loop Wire, 5.25"
15.	11005Drop Cylinder for ABS
	14005Drop Cylinder for PVC
16.	01024CPOverflow Plate Screw, 2.25"
17.	20030CPCable Overflow Plate
18.	20140Cable Overflow Plate Locking Screw

Roughing-In Dimensions:

