

# Schedule 40

## Model 615

Half Kit with Hub Adaptor

## Model 616

Half Kit with Spigot Adaptor, PVC only

## Model 617

Half Kit with Drain Tee

**Sturdy 1.5" Schedule 40 Fittings  
Solvent Weld Assembly**

### SPECIFICATIONS

#### FEATURES:

- 1.25" deep metal strainer body
- Theft-resistant brass stopper
- Designed for heavy-duty use in hotels, motels, and rental property
- Replaceable, drip-proof Buna-N-Seal

#### APPROVALS (615 models):

- Manufactured in compliance with ASME A112.18.2-2005/CSA B125.2-2005.

#### PATENTS:

- See <http://watcomfg.com/Watco/patents/> for details

#### THREADS (Strainer Body and Drain Elbow):

- 1 1/2" – 1 1/2 NPSM (Coarse Thread)
- 1.865" Major Diameter (outside thread diameter)
- 11.5 threads per inch

**PIPING:**  PVC  ABS



**Model 615-PP**



**ADA**

PRESFLO® (PF) and  
Foot Actuated (FA) only

See price list for complete item numbers and available options.  
When ordering, please specify complete item number and any applicable option codes.

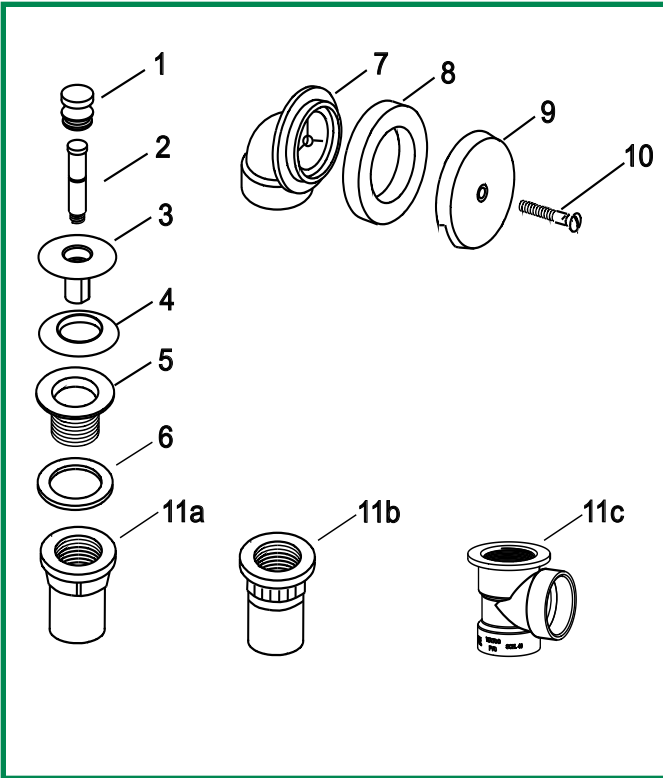


For More Information Contact:  
**WATCO Manufacturing Company**  
1220 South Powell Road  
Independence, MO 64057-2724  
Ph. 816-796-3900 • FAX 816-796-0875  
[www.watcomfg.com](http://www.watcomfg.com)

### Finishes Available in the 615/616/617 Series:

Tube Closures:	PUSH PULL®	LIFT & TURN	PRESFLO®	FOOT ACT.
CP - Chrome Plated	•	•	•	•
AB - Antique Brass	•	•		
AP - Aged Pewter	•	•	•	
BB - Brushed Bronze	•	•	•	
BN - Brushed Nickel	•	•	•	•
BO - Bone	•	•		
BS - Biscuit	•	•		
BZ - Oil-Rubbed Bronze	•	•	•	•
CB - Chrome Brushed	•	•	•	
NP - Nickel Polished	•	•	•	•
PB - Polished Brass	•	•	•	•
PN - Pearl Nickel	•	•	•	
WH - White	•	•		
WI - Wrought Iron	•	•	•	

# 615/616/617 Series Parts List



Item	Part #	Description
1.	01010CP	PUSH PULL® Knob, Brass
2.	11510	Friction Ring (11505) and Post (11532)
3.	01013CP	Stopper, Brass
4.	11507	Seal, 1 1/16" dia.
5.	01016CP	Strainer Body, 1.865" - 11.5
6.	10696	Drain Ell Washer, 1.5" gray
7.	11009	Overflow Ell, 1-Hole, Schedule 40, ABS
	14009	Overflow Ell, 1-Hole, Schedule 40, PVC
8.	10675	Overflow Ell Washer, Foam
9.	01002CP	Overflow Plate, 1-Hole, metal
10.	01024CP	Overflow Plate Screw, 2.25"
<b>For the 615:</b>		
11a.	11608	Hub, Schedule 40, ABS
	11607	Hub, Schedule 40, PVC
<b>For the 616:</b>		
11b.	11610	Spigot, Schedule 40, PVC only
<b>For the 617:</b>		
11c.	11027	Direct Drain Tee, Schedule 40, ABS
	14027	Direct Drain Tee, Schedule 40, PVC

## OPTIONAL TUB CLOSURES FOR 615/616/617-SERIES BATH WASTES (PUSH PULL® ALSO SHOWN ABOVE)

Diagram	Series	Part #	Description
	PUSH PULL® Coarse Thread	1.	01010CP
			01010__*
		2.	11510
		3.	01013CP
			01013__*
	LIFT & TURN Coarse Thread	1.	01010CP
			01010__*
		2.	11079
		3.	11088
		4.	11290CP
	01013__*		
	PRESFLO® Coarse Thread	1.	11145CP
			11145__*
		2.	11132
		3.	11060CP
			11060__*
	FOOT ACTUATED Coarse Thread	1.	38412CP
			38412__*
		2.	11492CP
			01016__*

*\*If finish other than Chrome is desired, please use this part number and indicate desired finish.*