



Tubular Brass

Model 501/502

For most tubs 14" - 16" high

Model 551/552

For most tubs up to 24" high

Sturdy 1.5" 17g and 20g Tubular Brass Slip-Joint Assembly

SPECIFICATIONS

FEATURES:

- Metal strainer body for cast iron or plastic tubs
- Designed for heavy-duty use in hotels, motels, and rental properties
- Replaceable drip-proof Buna-N-Seal
- Retainer plate for overflow elbow

APPROVALS:

- Manufactured in compliance with ASME A112.18.2-2005/CSA B125.2-2005 and TIL MSE-051.

PATENTS:

- See <http://watcomfg.com/Watco/patents/> for Details

THREAD SIZE (Strainer Body and Drain Elbow):

- 1 1/2" – 11 1/2 NPSM (Coarse Thread)
- 1.865" Major Diameter (outside thread diameter)
- 11.5 threads per inch

PIPING:

- 17g: 501/551 models
- 20g: 502/552 models

 **ADA** PRESFLO® (PF) and Foot Actuated (FA) only

OPTIONS:

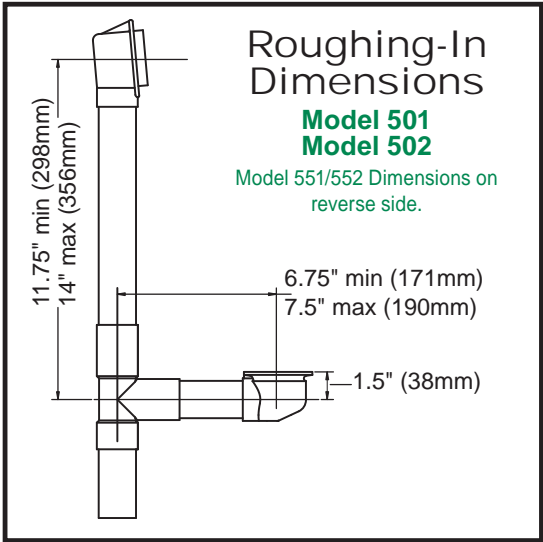
- Brass Ferrules (add code "F" to part number)
- New York Lay-Down Tee (add code "NY" to part number)
- Slip-'N-Solder (no compression slip joints, add Code "U")
- Special lengths available:
 - Overflow extension (add code "EXlength") example: EX6
 - Drain extension (add code "Dlength") example: D4

See price list for complete item numbers and available options.

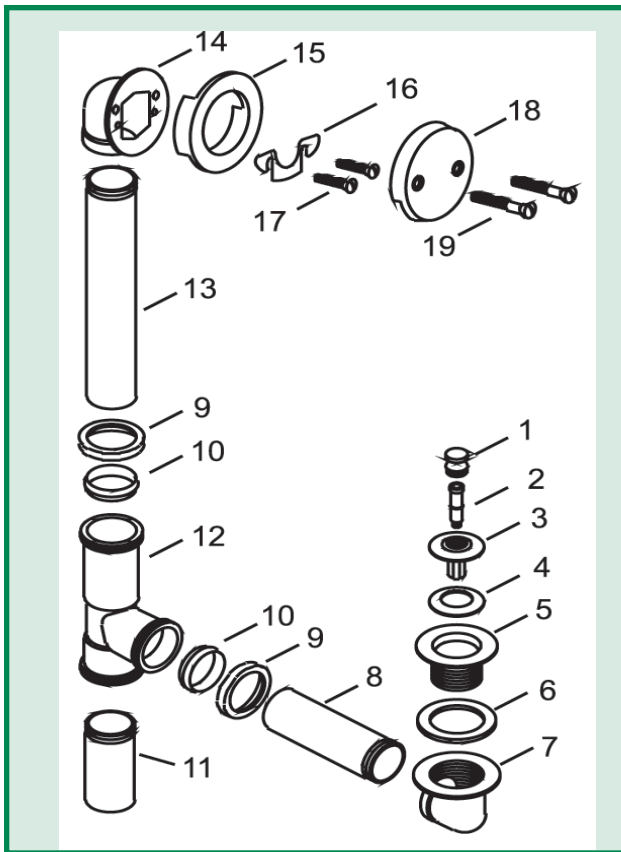
When ordering, please specify complete item number and any applicable option codes.



For More Information Contact:
WATCO Manufacturing Company
 1220 South Powell Road
 Independence, MO 64057-2724
 Ph. 816-796-3900 • FAX 816-796-0875
www.watcomfg.com



501/502 and 551/552 Series Parts List



Item	Part #	Description
1.	01010CP	PUSH PULL® Knob, metal
2.	11510	Friction Ring (11505) and Post (11532)
3.	01013CP	Stopper, metal
4.	11507	Seal, 1 1/16" dia.
5.	01016CP	Strainer Body, metal, 1.865" - 11.5 - 1.25"
6.	10696	Drain Ell Washer, 1.5" gray
7.	44006	Brass Drain Ell, 1.5" - 11.5
8.	17GA-4.75	Drain Ell Tube (17g), 4.75"
	20GA-4.75	Drain Ell Tube (20g), 4.75"
		For 551-PP: 17GA-9.625 Drain Ell Tube (17g), 9.625"
		For 552-PP: 20GA-9.625 Drain Ell Tube (20g), 9.625"
9.	41580	Brass Slip Nut
10.	11583	Slip Joint Polywasher
11.	17GA-3.5	Tail Piece (17g), 3.5"
	20GA-3.5	Tail Piece (20g), 3.5"
12.	44001	Brass Tee
13.	17GA-9.625	Overflow Ell Tube (17g), 9.625"
	20GA-9.625	Overflow Ell Tube (20g), 9.625"
		For 551-PP: 17GA-18.12.. Overflow Ell Tube (17g), 18.125"
		For 552-PP: 20GA-18.12.. Overflow Ell Tube (20g), 18.125"
14.	44003	Overflow Ell, Brass
15.	40675	Overflow Ell Washer for Brass
16.	11530	Retainer Plate
17.	41540	Retainer Plate Screw
18.	01003CP	Overflow Plate, 2-Hole, metal
19.	01024CP	Overflow Plate Screw, 2.25"

OPTIONAL TUB CLOSURES FOR 501/502-SERIES BATH WASTES (PUSH PULL® ALSO SHOWN ABOVE)

PUSH PULL® Coarse Thread		LIFT & TURN Coarse Thread		PRESFLO® Coarse Thread		FOOT ACTUATED Coarse Thread	
	1. 01010CP 01010_* 2. 11510 3. 01013CP 01013_* 4. 11507 5. 01016CP 01016_*		1. 01010CP 01010_* 2. 11079 3. 11088 4. 11290CP 01013_* 5. 11507 6. 11492CP 01016_*		1. 11145CP 11145_* 2. 11132 3. 11060CP 11060_* 4. 96039: Suction Cup for removing stopper		1. 38412CP 38412_* 2. 11492CP 01016_*
U.S. Pat. No. 4,720,877		U.S. Pat. No. 5,758,368		U.S. Pat. No. 4,457,030			

***If finish other than Chrome is desired, please use this part number and indicate desired finish.**

Finishes Available in the 501/551 Series:

Tub Closures:	PUSH PULL®	LIFT & TURN	PRESFLO®	FOOT ACT.
CP - Chrome Plated	•	•	•	•
AP - Aged Pewter	•	•	•	
AB - Antique Brass	•	•	•	
BB - Brushed Bronze	•	•	•	
BN - Brushed Nickel	•	•	•	•
BO - Bone	•	•	•	
BS - Biscuit	•	•	•	
BZ - Oil-Rubbed Bronze	•	•	•	•
CB - Chrome Brushed	•	•	•	
NP - Nickel Polished	•	•	•	•
PB - Polished Brass	•	•	•	•
WH - White	•	•	•	
WI - Wrought Iron	•	•	•	

