

Tubular Brass

Model 511 Direct Drain Tub Closure

**Sturdy 1.5" 17g Tubular Brass
Factory-Sealed to
Brass Direct Drain**

SPECIFICATIONS

FEATURES:

- Ideal for making through-the-floor connections.
- Comes with 18.125" length of pipe.
- Direct drain threaded to brass pipe with pipe sealant at factory.

PATENTS:

- See <http://watcomfg.com/Watco/patents/> for Details

THREAD SIZE:

- 1 $\frac{1}{2}$ " – 11 $\frac{1}{2}$ " NPSM (Coarse Thread)
- 1.865" Major Diameter (outside thread diameter)
- 11.5 threads per inch

PIPING:

- 17-gauge tubular brass



ADA

PRESFLO® (PF) and
Foot Actuated (FA) only

See price list for complete item numbers and available options.

When ordering, please specify complete item number and any applicable option codes.

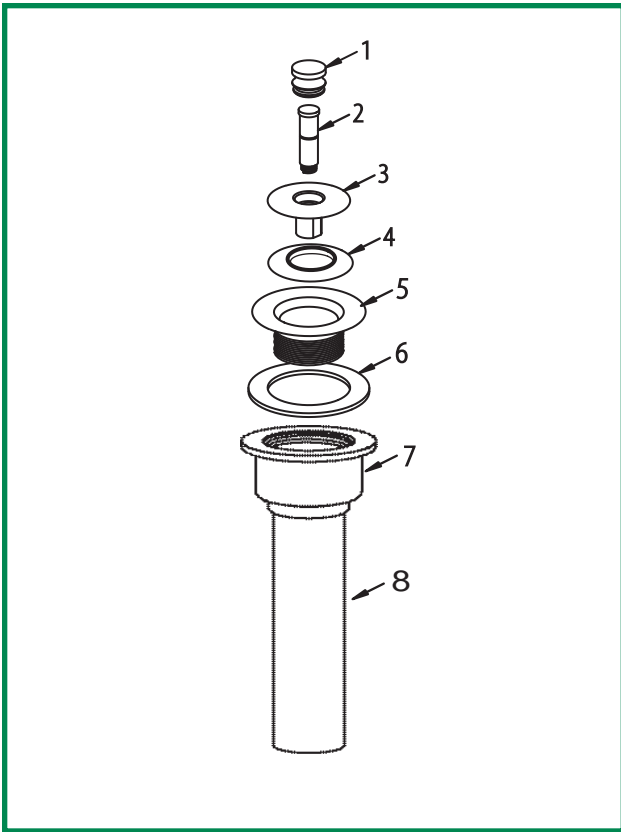
Finishes Available in the 511 Series:

Tub Closures:	PUSH PULL®	LIFT & TURN	PRESFLO®	FOOT ACT.
CP - Chrome Plated	•	•	•	•
AB - Antique Brass	•	•		
AP - Aged Pewter	•	•	•	
BB - Brushed Bronze	•	•	•	
BN - Brushed Nickel	•	•	•	•
BO - Bone	•	•		
BS - Biscuit	•	•		
BZ - Oil-Rubbed Bronze	•	•	•	•
CB - Chrome Brushed	•	•	•	
NP - Nickel Polished	•	•	•	•
PB - Polished Brass	•	•	•	•
	•	•	•	
WH - White	•	•		
WI - Wrought Iron	•	•	•	



For More Information Contact:
WATCO Manufacturing Company
1220 South Powell Road
Independence, MO 64057-2724
Ph. 816-796-3900 • FAX 816-796-0875
www.watcomfg.com

511 Series Parts List



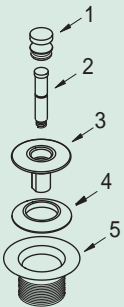
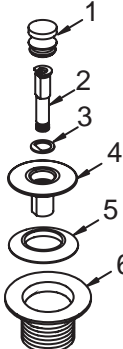

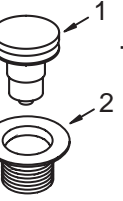
Item	Part #	Description
------	--------	-------------

- | | | |
|----|--------------|---|
| 1. | 01010CP..... | Knob, Brass |
| 2. | 11510..... | Friction Ring (11505) and Post (11532) |
| 3. | 01013CP..... | Stopper, Brass |
| 4. | 11507..... | Seal, 1 1/16" dia. |
| 5. | 01016CP..... | Strainer Body, Brass, 1.865" - 11.5 x 1.25" |
| 6. | 10696..... | Drain Ell Washer, 1.5", gray |
| 7. | 44007..... | Brass Direct Drain with Internal Threads |

#7 FACTORY-THREAD WITH PIPE SEALANT TO #8:

- | | | |
|----|--------------|---|
| 8. | 17GA-18.12.. | Tubular Brass Pipe, 17g, 1.5" x 18.125"
(Length of pipe can be specified.) |
|----|--------------|---|

OPTIONAL TUB CLOSURES FOR 511-SERIES BATH WASTES (PUSH PULL® ALSO SHOWN ABOVE)

 PUSH PULL® Coarse Thread	 LIFT & TURN Coarse Thread	 PRESFLO® Coarse Thread	 FOOT ACTUATED Coarse Thread
<ol style="list-style-type: none"> 01010CP 01010__* 11510 01013CP 01013__* 11507 01016CP 01016__* <p>U.S. Pat. No. 4,720,877</p>	<ol style="list-style-type: none"> 01010CP 01010__* 11079 11088 11290CP 01013__* 11507 11492CP 01016__* <p>U.S. Pat. No. 5,758,368</p>	<ol style="list-style-type: none"> 11145CP 11145__* 11132 11060CP 11060__* 96039: Suction Cup for removing stopper <p>U.S. Pat. No. 4,457,030</p>	<ol style="list-style-type: none"> 38412CP 38412__* 11492CP 01016__*
<p>*If finish other than Chrome is desired, please use this part number and indicate desired finish.</p>			