

Tubular Brass

Model 512 Direct Drain

For most tubs 14" - 16" high

**Sturdy 1.5" 17g Tubular Brass
Slip-Joint Assembly**

SPECIFICATIONS

FEATURES:

- Metal strainer body for cast iron or plastic tubs
- Theft-resistant brass stopper
- Designed for heavy-duty use in hotels, motels, and rental property.
- Replaceable drip-proof Buna-N-Seal
- Retainer plate for overflow ell

PATENTS:

- See <http://watcomfg.com/Watco/patents/> for Details

THREAD SIZE:

- 1½" – 11½ NPSM (Coarse Thread)
- 1.865" Major Diameter (outside thread diameter)
- 11.5 threads per inch

PIPING:

- 17-gauge tubular brass



OPTIONS:

- Brass Ferrules (add code "F" to part number)
- Special lengths available:
 - Overflow extension (add code "EXlength")
example: EX6
 - Drain extension (add code "Dlength")
example: D4

See price list for complete item numbers and available options.

When ordering, please specify complete item number and any applicable option codes.

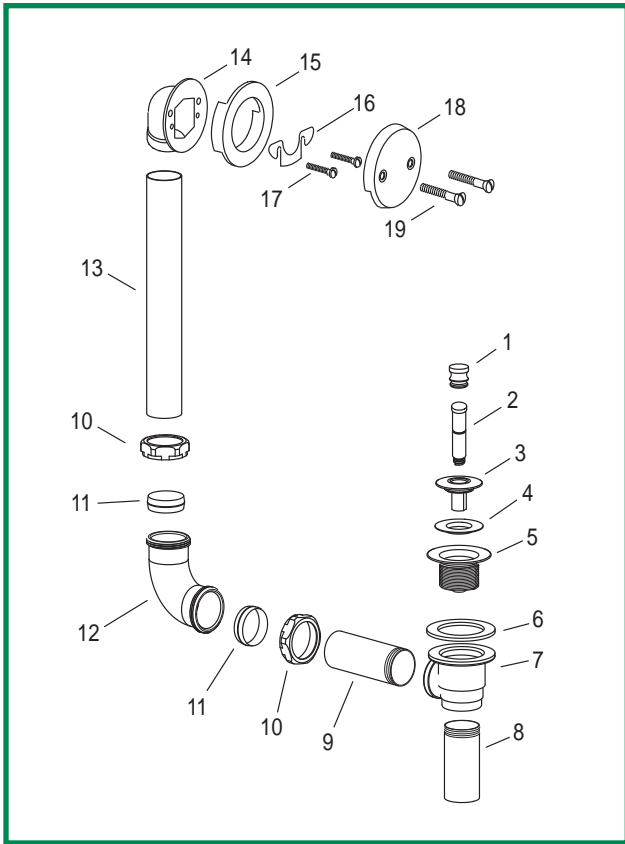
Finishes Available in the 512 Series:

Tub Closures:	PUSH PULL®	LIFT & TURN	PRESFLO®	FOOT ACT.
CP - Chrome Plated	•	•	•	•
AB - Antique Brass	•	•		
AP - Aged Pewter	•	•	•	
BB - Brushed Bronze	•	•	•	
BN - Brushed Nickel	•	•	•	•
BO - Bone	•	•		
BS - Biscuit	•	•		
BZ - Oil-Rubbed Bronze	•	•	•	•
CB - Chrome Brushed	•	•	•	
NP - Nickel Polished	•	•	•	•
PB - Polished Brass	•	•	•	•
	•	•	•	
WH - White	•	•		
WI - Wrought Iron	•	•	•	



For More Information Contact:
WATCO Manufacturing Company
 1220 South Powell Road
 Independence, MO 64057-2724
 Ph. 816-796-3900 • FAX 816-796-0875
www.watcomfg.com

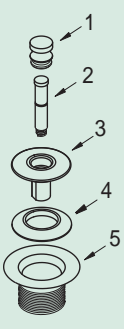
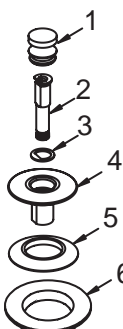

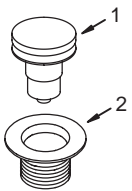
512 Direct Drain Series Parts List



Item	Part #	Description
1.	01010__ *	Knob, Brass
2.	11510	Friction Ring (11505) and Post (11532)
3.	01013__ *	Stopper, Brass
4.	11507	Seal, 1 1/16" dia.
5.	01016__ *	Strainer Body, Brass, 1.865" - 11.5 - 1.25"
6.	10696	Drain Ell Washer, 1.5", gray
7.	44010	Direct Drain Tee w/Internal Threads, Brass
8.	17GA-6	Tail Piece, 17g Brass, 6.00"
9.	17GA-4.75	Drain Ell Tube, 17g Brass, 4.75"
10.	41580	Brass Slip Nut
11.	11583	Slip Joint Polywasher, 1.5"
12.	44011	Brass Elbow for Direct Drains
13.	17GA-15.62	Overflow Ell Tube, 17g Brass, 15.625"
14.	44003	Brass Overflow Ell
15.	40675	Overflow Ell Washer for Brass
16.	11530	Retainer Plate
17.	41540	Brass Screw for Retainer Plate
18.	01003__ *	2-Hole Overflow Plate, Metal
19.	01024__ *	Screw for Overflow Plate, 2.25"

*Please indicate desired finish.

OPTIONAL TUB CLOSURES FOR 512-SERIES BATH WASTES (PUSH PULL® ALSO SHOWN ABOVE)

 PUSH PULL® Coarse Thread	 LIFT & TURN Coarse Thread	 PRESFLO® Coarse Thread	 FOOT ACTUATED Coarse Thread
<ol style="list-style-type: none"> 01010CP 01010__ * 11510 01013CP 01013__ * 11507 01016CP 01016__ * <p>U.S. Pat. No. 4,720,877</p>	<ol style="list-style-type: none"> 01010CP 01010__ * 11079 11088 11290CP 01013__ * 11507 11492CP 01016__ * <p>U.S. Pat. No. 5,758,368</p>	<ol style="list-style-type: none"> 11145CP 11145__ * 11132 11060CP 11060__ * 96039: Suction Cup for removing stopper <p>U.S. Pat. No. 4,457,030</p>	<ol style="list-style-type: none"> 38412CP 38412__ * 11492CP 01016__ *

***If finish other than Chrome is desired, please use this part number and indicate desired finish.**