



## Tubular Brass

# Innovator<sup>®</sup> 593 Direct Drain

For most tubs 14" - 16" high

**Sturdy 1.5" 17g Tubular Brass  
Slip-Joint Assembly**

### SPECIFICATIONS

#### FEATURES:

- Eliminates all screws
- Eliminates expensive test plug. Comes with an Innovator overflow test cap and a test plug with o-ring-type gasket
- Eliminates possible leaks due to loose overflow attachment
- Eliminates dual inventory of one- and two-hole overflow plates
- Saves time on installation

#### PATENTS (Innovator<sup>®</sup>):

- See <http://watcomfg.com/Watco/patents/> for Details



#### OPTIONS:

- Brass Ferrules (add code "F" to part number)
- Slip-'N-Solder NOT available on this model.
- Special lengths available:
  - Overflow extension (add code "EXlength")  
example: EX6
  - Drain extension (add code "Dlength") example: D4

See price list for complete item numbers and available options.

When ordering, please specify complete item number and any applicable option codes.



For More Information Contact: **WATCO Manufacturing Company**  
1220 South Powell Road  
Independence, MO 64057-2724  
Ph. 816-796-3900 • FAX 816-796-0875  
[www.watcomfg.com/watco](http://www.watcomfg.com/watco)  
[sales@watcomfg.com](mailto:sales@watcomfg.com)

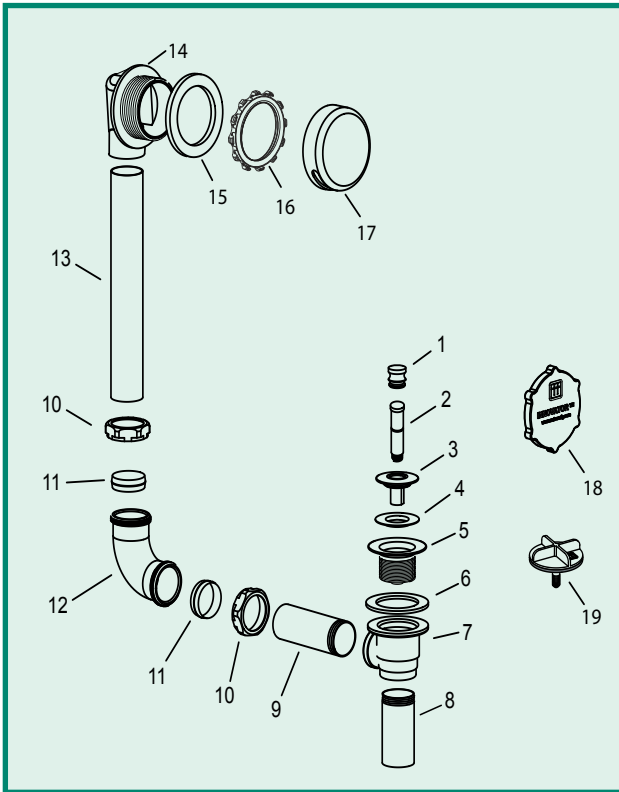
#### THREAD SIZE (Strainer Body and Drain Tee):

- 1½" – 11½ NPSM (Coarse Thread)
- 1.865" Major Diameter (outside thread diameter)
- 11.5 threads per inch

#### Finishes Available in the 593 Series:

Tub Closures:	PUSH PULL <sup>®</sup>	LIFT & TURN	PRESFLO <sup>®</sup>	FOOT ACT.
CP - Chrome Plated	•	•	•	•
AB - Antique Brass				
AP - Aged Pewter	•	•	•	
BB - Brushed Bronze	•	•	•	
BN - Brushed Nickel	•	•	•	•
BO - Bone	•	•		
BS - Biscuit	•	•		
BZ - Oil-Rubbed Bronze	•	•	•	•
CB - Chrome Brushed	•	•	•	
NP - Nickel Polished	•	•	•	•
PB - Polished Brass	•	•	•	•
	•	•	•	
WH- White	•	•		
WI - Wrought Iron	•	•	•	

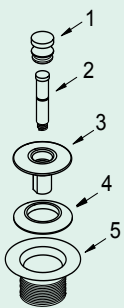
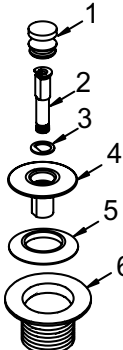
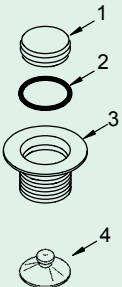
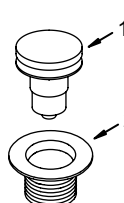
# 593 Series Parts List



Item	Part #	Description
1.	01010__ *	Knob, metal
2.	11510	Friction Ring (11505) and Post (11532)
3.	01013__ *	Stopper, metal
4.	11507	Seal, 1 1/16" dia.
5.	01016__ *	Strainer Body, metal, 1.865" - 11.5 - 1.25"
6.	10696	Drain Ell Washer, 1.5", gray
7.	44010	Direct Drain Tee, brass w/internal threads
8.	17GA-6	Tail Piece, 17g brass, 6.0"
9.	17GA-4.75	Drain Ell Tube, 17g brass, 4.75"
10.	41580	Brass Slip Nut
11.	11583	Slip Joint Polywasher
12.	44011	Brass Elbow for Direct Drains
13.	17GA-15.62	Overflow Ell Tube, 17g brass, 15.625"
14.	44005	Brass Overflow Ell for Innovator®
15.	10675	Overflow Ell Washer, Foam
16.	11121	ABS Retainer Nut for Innovator®
17.	01004__ *	Overflow Plate for Innovator®
18.	11114	Innovator® Overflow Ell Test Cap
19.	11575	Green Test Plug with O-Ring Gasket Assy.

\* Please indicate desired finish.

## OPTIONAL TUB CLOSURES FOR 593-SERIES BATH WASTES (PUSH PULL® ALSO SHOWN ABOVE)

900/01 PUSH PULL® Coarse Thread	LIFT & TURN Coarse Thread	PRESFLO® Coarse Thread	FOOT ACTUATED Coarse Thread
 <ol style="list-style-type: none"> <li>01010CP</li> <li>01010__ *</li> <li>11510</li> <li>01013CP</li> <li>01013__ *</li> <li>11507</li> <li>01016CP</li> <li>01016__ *</li> </ol> <p>U.S. Pat. No. 4,720,877</p>	 <ol style="list-style-type: none"> <li>01010CP</li> <li>01010__ *</li> <li>11079</li> <li>11088</li> <li>11290CP</li> <li>01013__ *</li> <li>11507</li> <li>11492CP</li> <li>01016__ *</li> </ol> <p>U.S. Pat. No. 5,758,368</p>	 <ol style="list-style-type: none"> <li>11145CP</li> <li>11145__ *</li> <li>11132</li> <li>11060CP</li> <li>11060__ *</li> <li>96039: Suction Cup for removing stopper</li> </ol> <p>U.S. Pat. No. 4,457,030</p>	 <ol style="list-style-type: none"> <li>38412CP</li> <li>38412__ *</li> <li>11492CP</li> <li>01016__ *</li> </ol>

**\*If finish other than Chrome is desired, please use this part number and indicate desired finish.**