

Schedule 40

Trip Lever 600-TL

For most tubs 14" - 16" high

Trip Lever 650-TL

For most tubs up to 24" high

**Sturdy 1.5" Schedule 40 PVC and ABS
Solvent-Weld Assembly**

SPECIFICATIONS

FEATURES:

- Designed for heavy-duty use in hotels, motels, and rental properties
- Strainer body cover catches hair
- Metal handle and strainer body
- Retainer plate for overflow elbow

APPROVALS:

- Manufactured in compliance with ASME A112.18.2-2005/CSA B125.2-2005.

OPERATION:

- Move lever, located on overflow plate, up to close drain and down to open drain.

THREAD SIZE (Strainer Body and Drain Elbow):

- 1 $\frac{1}{2}$ " – 1 $\frac{1}{2}$ " NPSM (Coarse Thread)
- 1.865" Major Diameter (outside thread diameter)
- 11.5 threads per inch

PIPING:

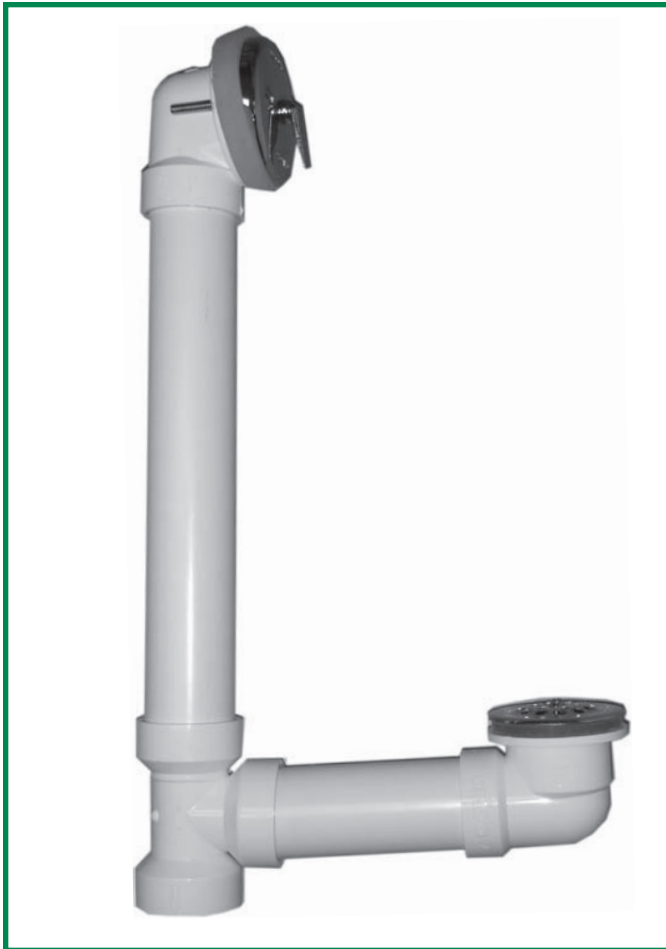
- PVC ABS

OPTIONS:

- Special lengths available:
 - Overflow extension (add code "EX $\underline{\text{length}}$ ")
example: EX6
 - Drain extension (add code "D $\underline{\text{length}}$ ") example:
D4

FINISHES:

- CP - Chrome Plated
- BN - Brushed Nickel
- BO - Bone
- BS - Biscuit
- BZ - Oil-Rubbed Bronze
- CB - Chrome Brushed
- NP - Nickel Polished
- PB - Polished Brass
- PN - Pearl Nickel
- WH - White
- WI - Wrought Iron



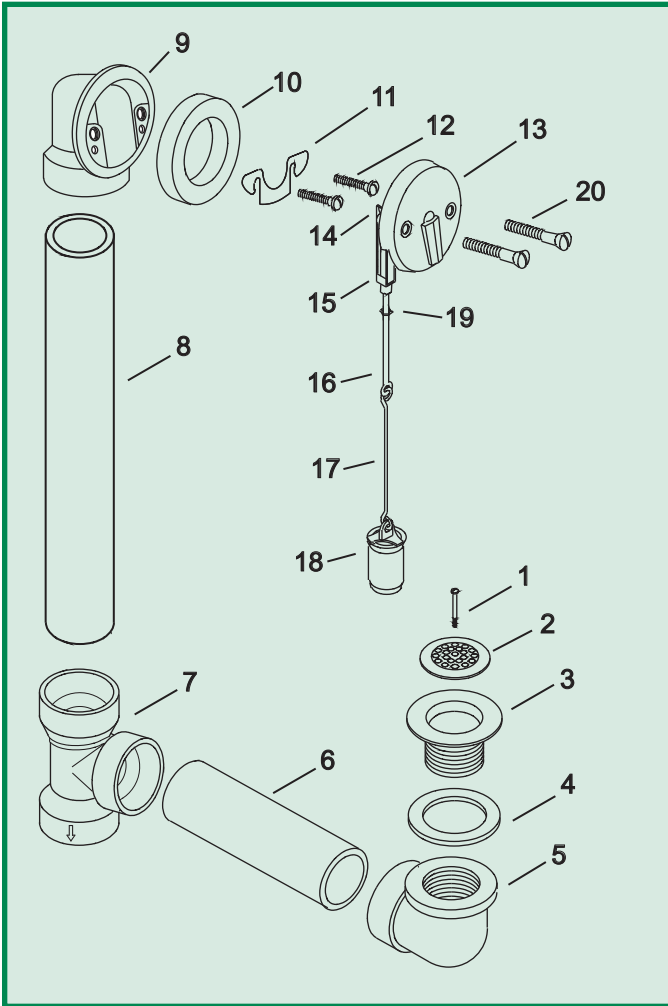
See price list for complete item numbers and available options.

When ordering, please specify complete item number and any applicable option codes.

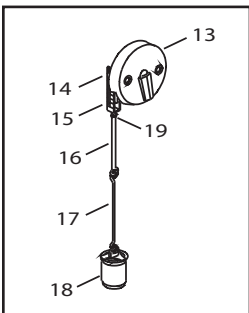


For More Information Contact:
WATCO Manufacturing Company
1220 South Powell Road
Independence, MO 64057-2724
Ph. 816-796-3900 • FAX 816-796-0875
www.watcomfg.com

600-TL Series Parts List



Item	Part #	Description
1.	01040CP Strainer Cover Plate Screw
2.	01006CP Strainer Cover Plate
3.	11495CP Zinc Strainer Body, 1.865" - 11.5
4.	10696 Drain Ell Washer, gray
5.	11008 Drain Ell, Schedule 40, ABS
	14008 Drain Ell, Schedule 40, PVC
6.	SCHABS-4.625	...Pipe, Schedule 40, ABS, 1.5" x 4.625"
	SCHPVC-4.625	...Pipe, Schedule 40, PVC, 1.5" x 4.625"
7.	11017 Tee with Seat, Schedule 40, ABS
	14017 Tee with Seat, Schedule 40, PVC
8.	SCHABS-11.75	...Pipe, Schedule 40, ABS, 1.5" x 11.75"
	SCHPVC-11.75	...Pipe, Schedule 40, PVC, 1.5" x 11.75"
9.	10096 Overflow Elbow, 2-Hole, Schedule 40, ABS
	10098 Overflow Elbow, 2-Hole, Schedule 40, PVC
10.	10675 Overflow Ell Washer, Foam
11.	11531 Retainer Plate for 2-hole Schedule 40
12.	11540 Retainer Plate Screw
13.	10700CP Trip Lever Faceplate Assembly
14.	10930 Cotter Pin Special Annealed
15.	10950 Trip Lever Qu I Ck A Dju ST® Clevis
16.	10953 Top Linkage Eye Bolt
17.	10954 5.25" Double-Loop Wire
18.	11005 Drop Cylinder for ABS
	14005 Drop Cylinder for PVC
19.	10952 Trip Lever Linkage Nut
20.	01024CP Overflow Plate Screw, 2.25"



10770-(PVC or ABS)-___

Trip Lever faceplate assembly replacement for tubular plastic trip lever bath wastes.

Indicate PVC or ABS and finish desired.

Roughing-In Dimensions:

