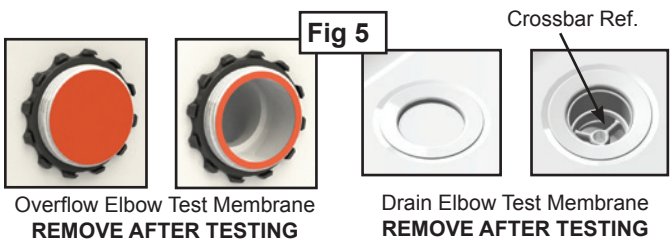
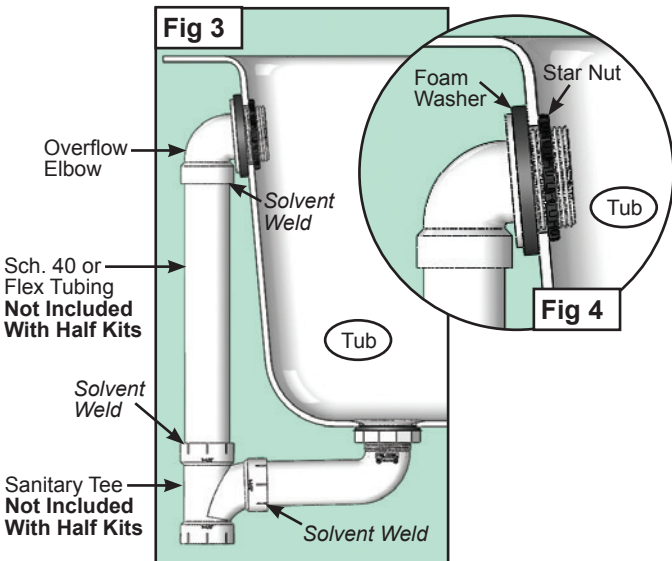
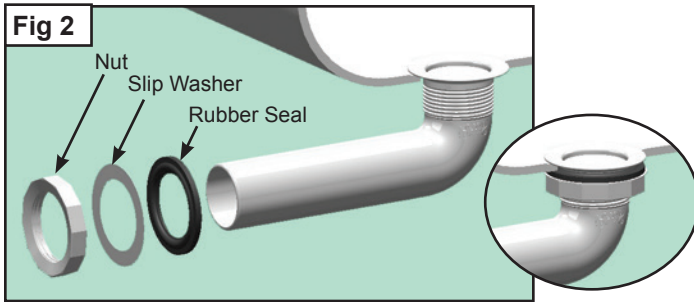
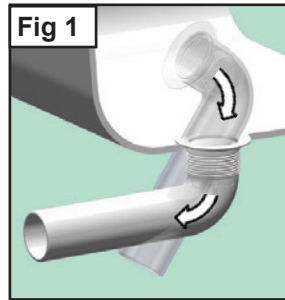
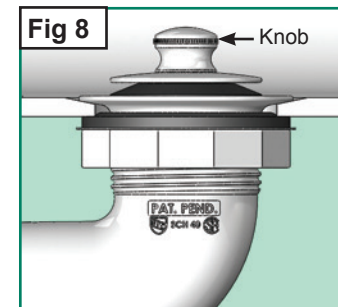
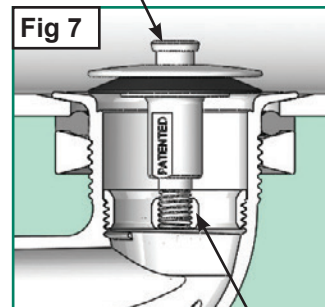
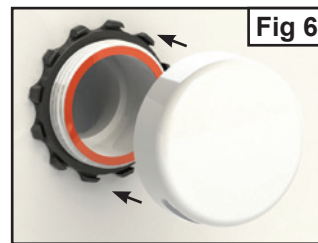


Innovator® Drain - Installation



1. Mark, cut and dry-fit all components prior to welding.
2. Apply a single bead of sealant around underside of Drain Elbow flange. **DO NOT USE OIL-BASED PUTTY PRODUCTS.** *Watco does not recommend and does not warranty this product when oil/petroleum based plumber's putty is used when installing this product.*
3. From inside tub, install Drain Elbow through tub drain. **Fig 1**
4. Slip on Rubber Seal, Slip Washer and Nut, in that order, and tighten to tub. **Fig 2**
5. Solvent weld: Overflow Elbow, Sanitary Tee and schedule 40 pipe or flexible tubing. **Fig 3**
6. Install the Foam Washer up to the flange on the Overflow Elbow and install welded assembly through the tub overflow opening. **Fig 4**
7. Solvent weld Sanitary Tee to Drain Elbow. **Fig 3**
For the White ABS drain elbow, use standard ABS materials and joining techniques.
8. From inside the tub, install the Retainer Star Nut onto the Overflow Elbow and **hand tighten** to tub. **DO NOT OVER-TIGHTEN.** **Fig 4**
9. Pressure test (if required). After pressure testing, use a knife to cut out the Test Membrane from the Overflow Elbow and Drain Elbow. **Fig 5**
10. Snap on the Overflow Plate with open slot facing down. **Fig 6**
11. Unscrew Knob from Stopper. Screw the Push Pull® Pin/ Stopper assembly into the threaded Crossbar. **Fig 7**
12. Thread Knob back onto Stopper. **Fig. 8**



Threaded Crossbar

For information, please contact:



Watco Manufacturing Company
 1220 South Powell Road
 Independence, MO 64057-2724
 816-796-3900
 816-796-0875 (Fax)
www.watcomfg.com

© 2013 Watco Mfg. Co.
 Printed in the U.S.A.