

## PRESFLO® Tub Trim Kits

### SPECIFICATIONS

#### FEATURES:

- Metal strainer body, 1.25" deep
- Metal overflow plate, 3.375" wide
- Designed for heavy-duty use in hotels, motels, and rental property
- Adapter bar for changing from two to one-hole overflow plate

#### PATENTS:

- U.S. Patent No. 4,457,030

#### OPERATION:

- Push down on any edge of stopper to open and close.



### Finishes Available in the PRESFLO® Series:

Trim Kits:	38250	38260	38270	38280		
CP - Chrome Plated	•	•	•	•		
AB - Antique Brass						
AP - Aged Pewter	•	•	•	•		
BB - Brushed Bronze	•	•	•	•		
BN - Brushed Nickel	•	•	•	•		
BO - Bone						
BS - Biscuit						
BZ - Oil-Rubbed Bronze	•	•	•	•		
CB - Chrome Brushed	•	•	•	•		
NP - Nickel Polished	•	•	•	•		
PB - Polished Brass	•	•	•	•		
PN - Pearl Nickel	•	•	•	•		
WH - White						
WI - Wrought Iron	•	•	•	•		

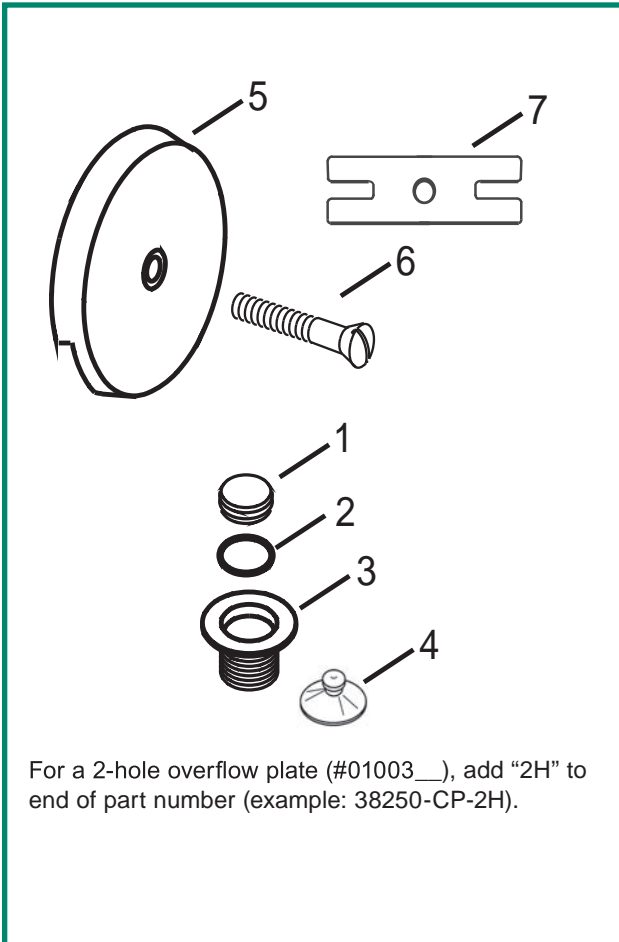
See price list for complete item numbers and available options.

When ordering, please specify complete item number and any applicable option codes.



For More Information Contact:  
**WATCO Manufacturing Company**  
 1220 South Powell Road  
 Independence, MO 64057-2724  
 Ph. 816-796-3900 • FAX 816-796-0875  
[www.watcomfg.com](http://www.watcomfg.com)

# PRESFLO® TRIM KIT PARTS LIST



## Item Part # Description

### WITH COARSE-THREAD BODY:

1. 11145\_\_ \* ... PRESFLO® Stopper, Plastic, for 11.5-thread  
11140\_\_ \* ... PRESFLO® Stopper, Brass, CP and PB only
2. 11132..... PRESFLO® O-Ring Seal for 11140-45 stoppers
3. 11060\_\_ \* ... PRESFLO® Strainer Body, 1.865"-11.5-1.25"
4. 96039..... Suction Cup for removing stopper
5. 01002\_\_ \* .. 1-Hole Overflow Plate, metal
6. 01024\_\_ \*... Overflow Plate Screw, 2.25"
7. 11641 ..... Adapter Bar

### WITH FINE-THREAD BODY:

1. 11155\_\_ \* ... PRESFLO® Stopper, Plastic, for 16-thread  
11150\_\_ \* ... PRESFLO® Stopper, Brass, all PF finishes
2. 11131..... PRESFLO® O-Ring Seal for 11150-55 stoppers
3. 11070\_\_ \* ... PRESFLO® Strainer Body, 1.625"-16-1.25"
4. 96039..... Suction Cup for removing stopper
5. 01002\_\_ \* .. 1-Hole Overflow Plate, metal
6. 01024\_\_ \*... Overflow Plate Screw, 2.25"
7. 11641 ..... Adapter Bar

\*Please indicate desired finish.